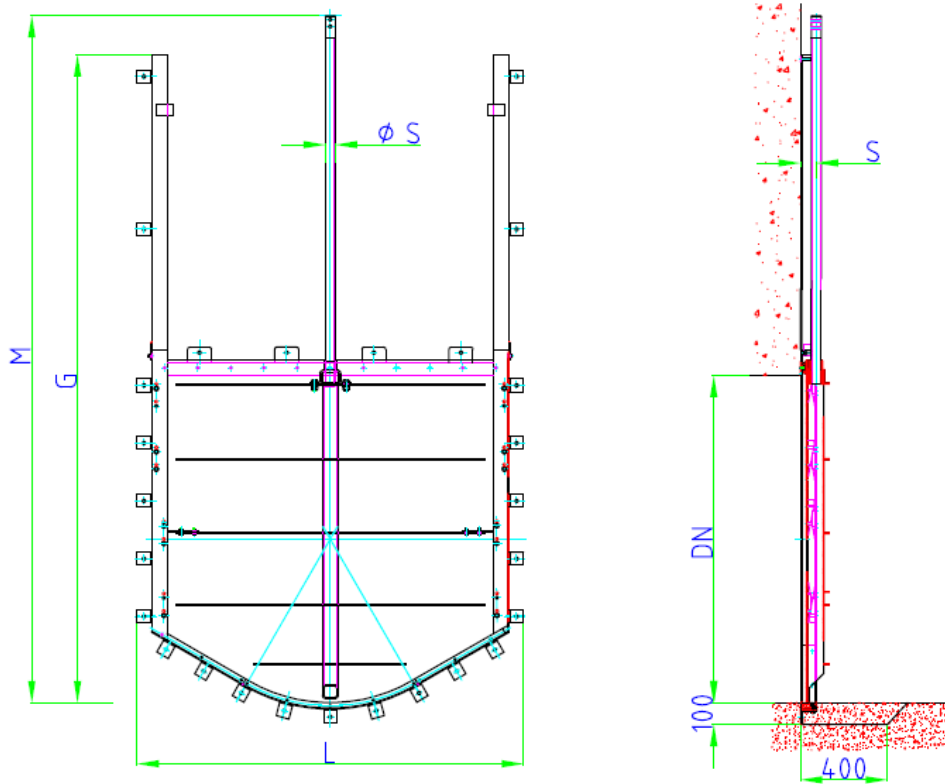


Dimension DN 1300 to DN 2200 - Wall fixing



Dimension	L	G	M	S	ØS	Weight [kg]
DN 1300	1580	2495	2750	70	45	340
DN 1400	1680	2695	2950	70	45	360
DN 1500	1780	2895	3250	80	45	380
DN 1600	1880	3245	3350	80	60	480
DN 1800	2080	3450	3760	80	60	570
DN 2000	2280	3850	4150	100	70	670
DN 2200	2480	4250	4550	100	70	760

All dimensions in mm

Design: TESACO, acc. to DIN 19569-4, BS 7775:2005, ANSI/AWWA C561-04, 4-face sealing

Material: The following standard material combinations are available:

Type: A4 - Frame and door fabricated from S.S. 316
 Type: A2 - Frame and door fabricated from S.S. 304

Door seal made of waste water resistant neoprene
 Wall seal made of Silicone (to be provided locally)
 Wedge components made of plastic PA
 Spindle nut made of corrosion resistant bronze
 Spindle made of stainless steel type 316
 Fastening elements made from S.S.316

TESACO-TECHNIQUE

Corrosion protection: Stainless steel pickled and passivated