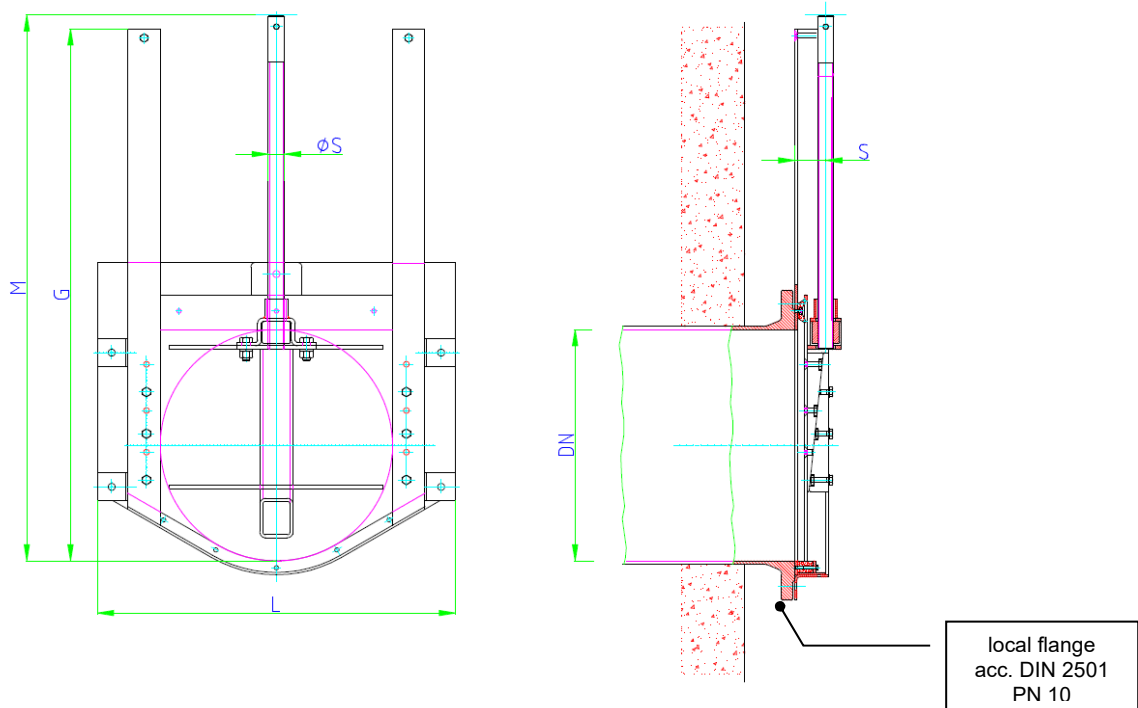


Dimension DN 150 to 600 - Pipe flange fixing



Dimension	L	G	M	S	ØS	Weight [kg]
DN 150	380	415	415	50	24	15
DN 200	430	510	490	50	24	18
DN 250	520	610	590	55	30	30
DN 300	570	710	710	55	30	38
DN 350	620	810	790	55	30	44
DN 400	670	900	890	55	30	50
DN 500	770	1100	1130	70	35	64
DN 600	870	1300	1350	70	35	82

All dimensions in mm

Design: TESACO, acc. to DIN 19569-4, BS 7775:2005, ANSI/AWWA C561-04, 4-face sealing

Material: The following standard material combinations are available:

Type: A4 - Frame, door, yoke and flange plate fabricated from S.S. 316
 Type: A2 - Frame, door, yoke and flange plate fabricated from S.S. 304

Sealing made from waste water resistant rubber neoprene
 Wedge components made of plastic PA
 Spindle nut made of zinc-free bronze
 Spindle made from S.S. 316
 Flange seal to be provided locally if not individually agreed
 Flange fastening to be provided locally if not individually agreed

Corrosion protection: Stainless steel pickled and passivated