

Wall bracket with square cap – T-key operated

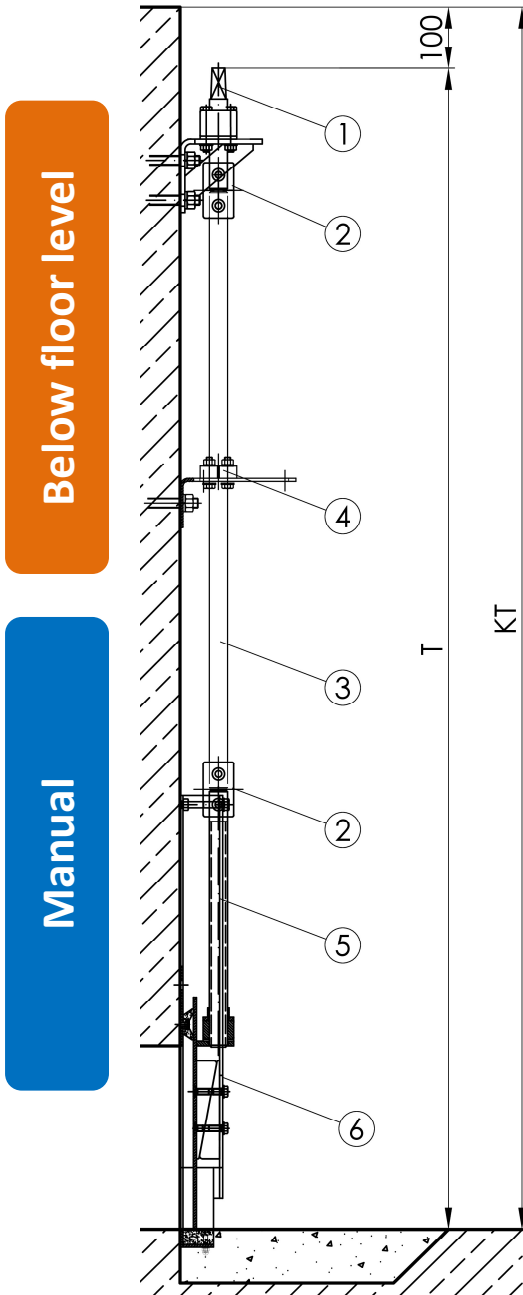


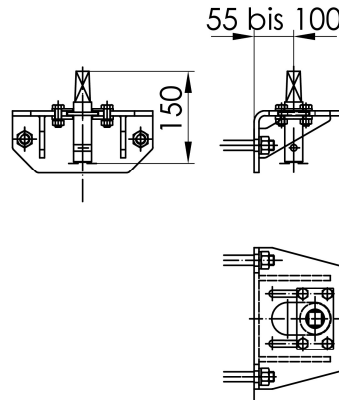
Figure with Penstock C20-Series

KEY

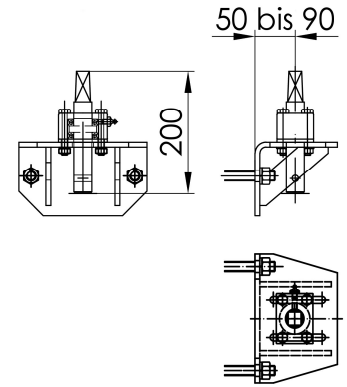
- 1 Drive
- 2 Coupling
- 3 Spindle extension
- 4 Spindle guide (only if required)
- 5 Spindle
- 6 Penstock

- T Installation depth
- KT Channel depth

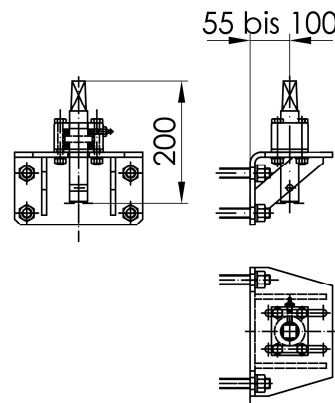
Typ100 ST2A
DN 150 bis DN 250



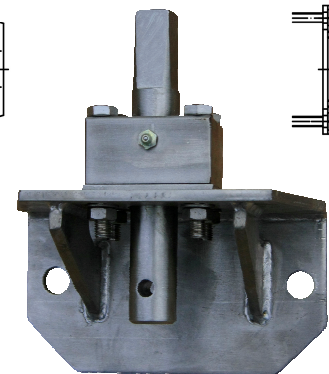
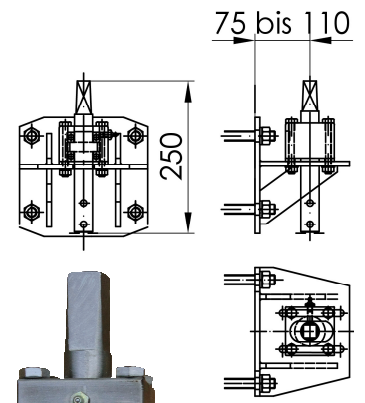
Typ100 ST2
DN 300 bis DN 500



Typ100 ST3
DN 500 bis DN 800



Typ100 STX
ab DN 900



Example → Type 100-ST2

Material:

Type 100ST: Wall bracket made from S.S. 316
 Shaft with square cap (21/25) made from S.S. 316
 Ball bearing acc. DIN 625
 Fastening elements made from S.S. 316

Optional: with digital position indicator

Operating: manual by T-key / Operating key