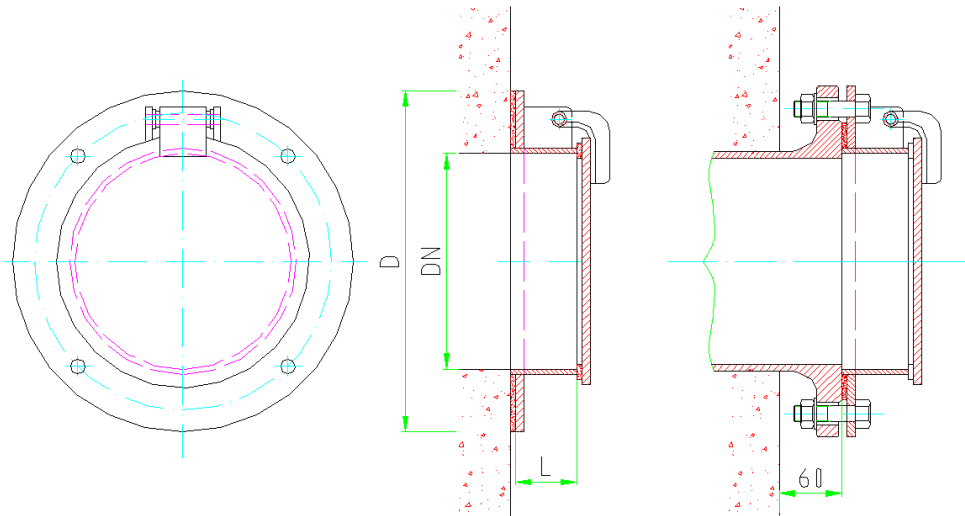


## Dimension DN 100 to DN 1200 - with basic cover flap -



Wall fixing

Pipe flange fixing  
with reduced blade thickness,  
suitable for local flange acc.  
DIN 2501 PN 10

Dimension	D	L	Weight [ kg ]
DN 100	220	100	4
DN 150	285	100	6
DN 200	340	100	8
DN 250	395	100	11
DN 300	445	100	13
DN 350	505	100	16
DN 400	565	100	20
DN 500	670	100	26
DN 600	780	150	43
DN 700	895	150	57
DN 800	1015	150	75
DN 900	1115	150	85
DN 1000	1230	150	100
DN 1200	1455	150	130

All dimensions in mm



Design: TESACO, acc. to DIN 19569-4

Material: The following standard material combinations are available:

Type: A4 - Frame and flap (Cover) fabricated from S.S. 316  
 Type: A2 - Frame and flap (Cover) fabricated from S.S. 304

Flap sealing (lip type) made from rubber neoprene  
 Wall sealing made from rubber neoprene  
 Hinge made from S.S. 316  
 Fastening elements made from S.S.316

Corrosion protection: Stainless steel pickled and passivated