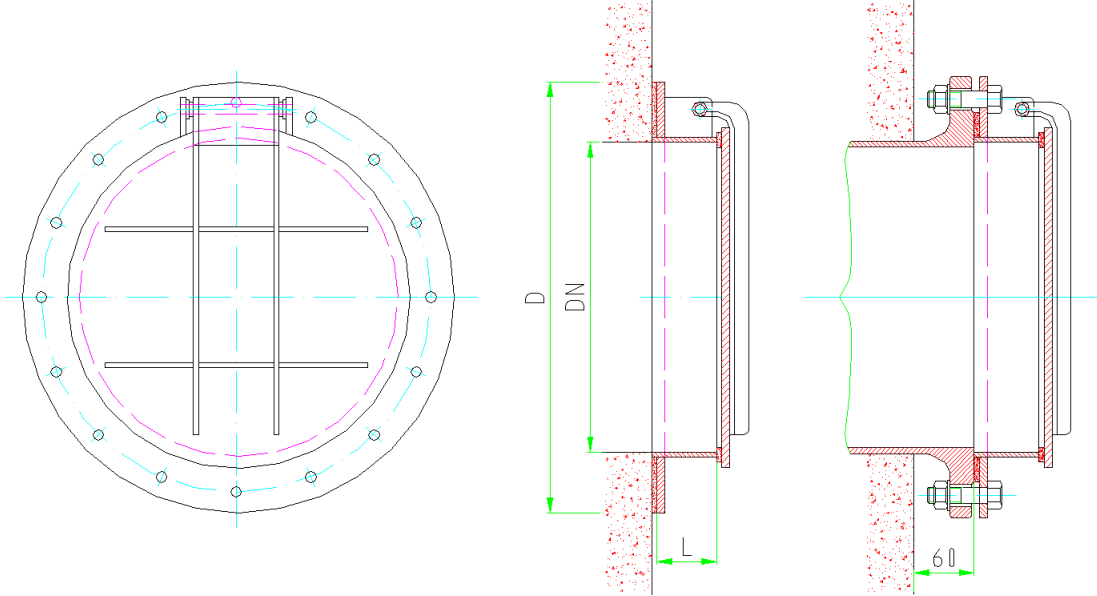


## Dimension DN 1400 to DN 2400 - with basic cover flap -



Wall fixing

Pipe flange fixing  
with reduced blade thickness,  
suitable for local flange acc.  
DIN 2501 PN 10

Dimension	D	L	Weight [ kg ]
DN 1400	1675	200	200
DN 1500	1800	200	260
DN 1600	1915	200	330
DN 1800	2115	200	420
DN 2000	2325	200	600

All dimensions in mm

Design: TESACO, acc. to DIN 19569-4

Material: The following standard material combinations are available:

Type: A4 - Frame and flap (Cover) fabricated from S.S. 316  
 Type: A2 - Frame and flap (Cover) fabricated from S.S. 304

Flap sealing (lip type) made from rubber neoprene

Wall sealing made from rubber neoprene

Hinge made from S.S. 316

Fastening elements made from S.S.316

Corrosion protection: Stainless steel pickled and passivated