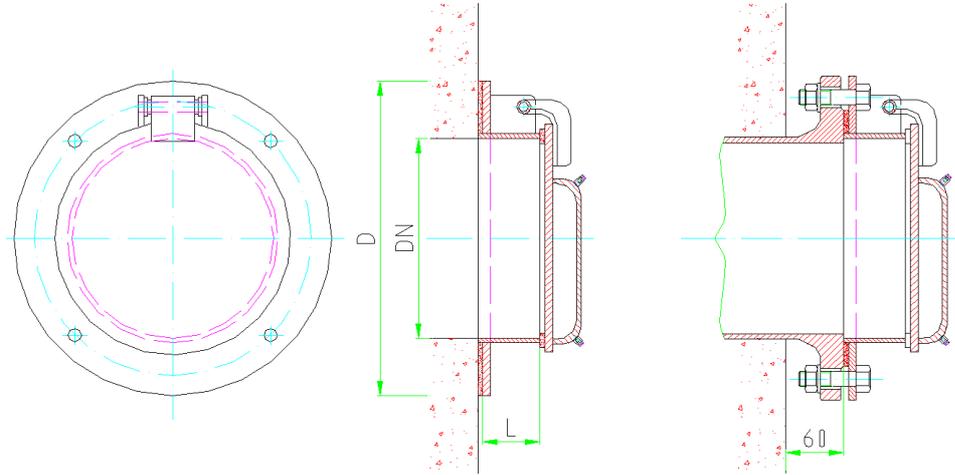


Dimension DN 300 to DN 1200 - with floating cover flap -



Floating cover flap including two filler sockets

Wall fixing

Pipe flange fixing
with reduced blade thickness,
suitable for local flange acc.
DIN 2501 PN 10

Dimension	D	L	Weight [kg]
DN 300	445	100	23
DN 350	505	100	28
DN 400	565	100	32
DN 500	670	100	50
DN 600	780	150	70
DN 700	895	150	100
DN 800	1015	150	125
DN 900	1115	150	140
DN 1000	1230	150	180
DN 1200	1455	150	200

All dimensions in mm



Design: TESACO, acc. to DIN 19569-4

Material: The following standard material combinations are available:

Type: A4 - Frame and flap (Cover) fabricated from S.S. 316
 Type: A2 - Frame and flap (Cover) fabricated from S.S. 304

Flap sealing (lip type) made from rubber neoprene
 Wall sealing made from rubber neoprene
 Hinge made from S.S. 316
 Fastening elements made from S.S.316

Corrosion protection: Stainless steel pickled and passivated