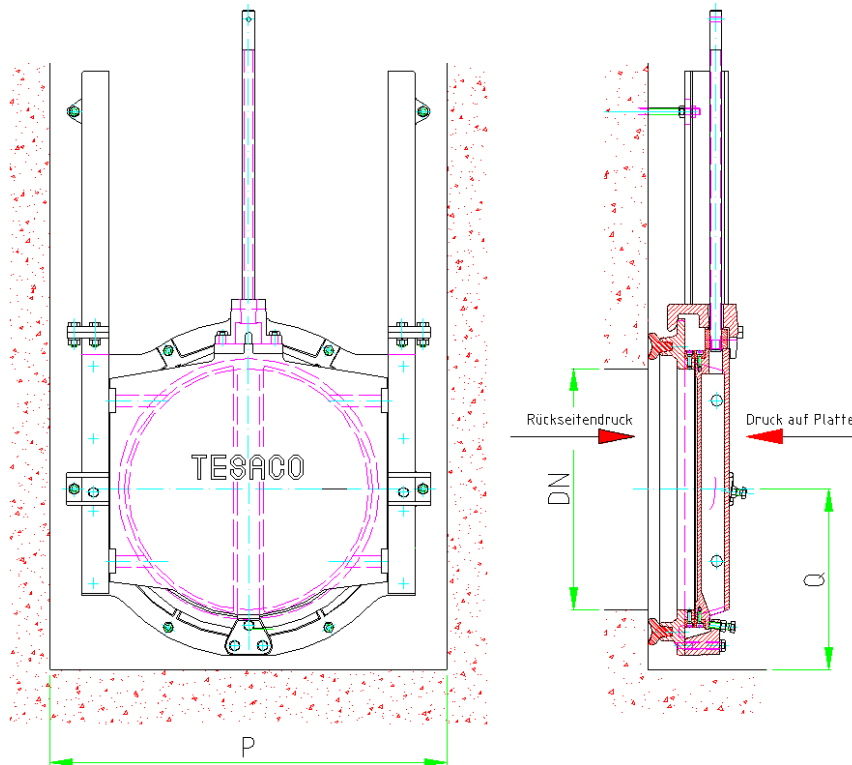


Dimension DN 400 to 700 - Wall fixing



Dimension	P	Q	Weight [kg]
DN 400	750	350	140
DN 500	950	400	240
DN 600	1050	450	275
DN 700	1150	500	340

Installation dimensions see page: 9000-0002S and 9000-0002

All dimensions in mm

Design: TESACO, acc. to DIN 19569-4, BS 7775:2005, ANSI/AWWA C561-04, 4-face sealing

Material: Frame, door and lateral guides fabricated from DIN EN 1561 EN-GJL-250 (GG-25)
 Exchangeable block seal on frame and door made from corrosion resistant bronze
 Spindle nut made of corrosion resistant bronze
 Spindle made of stainless steel type 316
 Wall seal made of waste water resistant neoprene
 Fastening elements made from S.S.316

Corrosion protection: Shot blasting acc. DIN ISO 55928, SA 2 1/2 with 400 µm Polyurethane or Epoxy coating