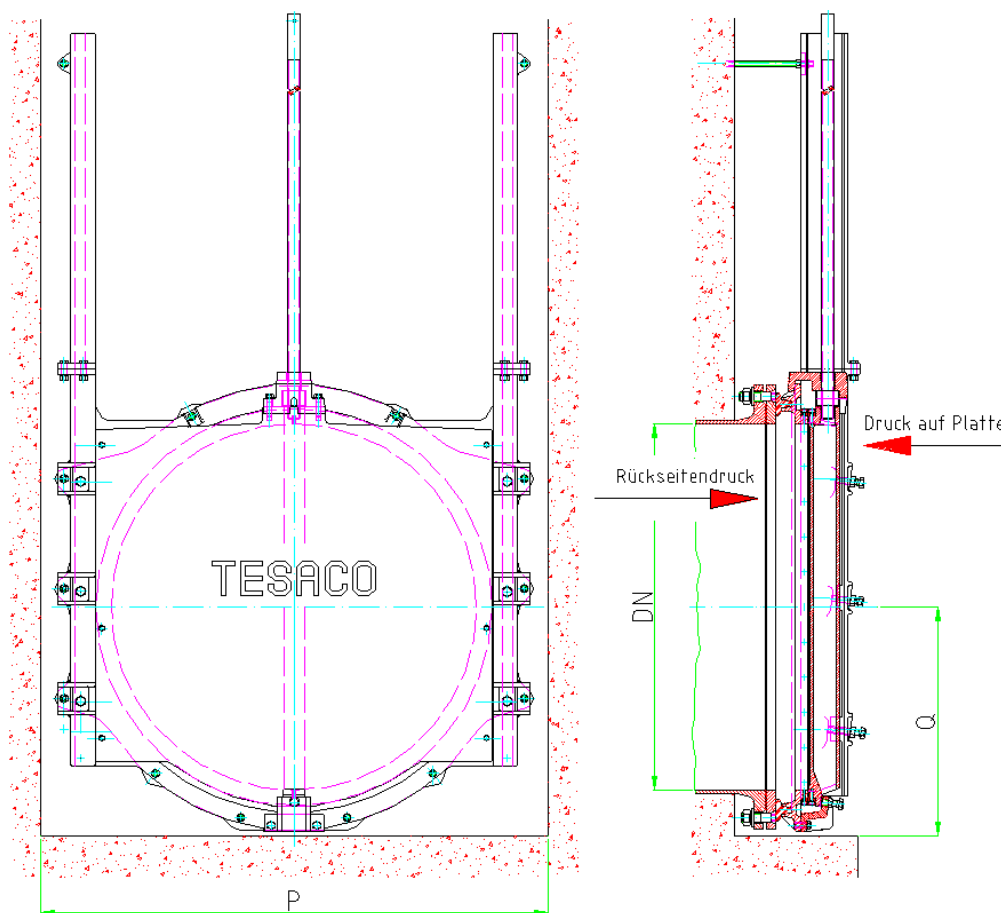


Dimension DN 1400 to 2000 - Pipe flange fixing



Dimension	P	Q	Weight [kg]
DN 1400	1900	900	1300
DN 1500	2000	950	1450
DN 1600	2100	1000	1650
DN 1800	2300	1100	2100
DN 2000	2500	1200	2450

All dimensions in mm

Design: TESACO, acc. to DIN 19569-4, BS 7775:2005, ANSI/AWWA C561-04, 4-face sealing

Material: Frame, door and lateral guides fabricated from DIN EN 1561 EN-GJL-250 (GG-25)
 Connection flange fabricated from DIN EN 1561 EN-GJL-250 (GG-25)
 Exchangeable block seal on frame and door made from corrosion resistant bronze
 Spindle nut made of corrosion resistant bronze
 Spindle made of stainless steel type 316
 Connection flange seal made of waste water resistant neoprene
 Fastening elements made from S.S.316

Corrosion protection: Shot blasting acc. DIN ISO 55928, SA 2 1/2
 with 400 µm Polyurethane or Epoxy coating