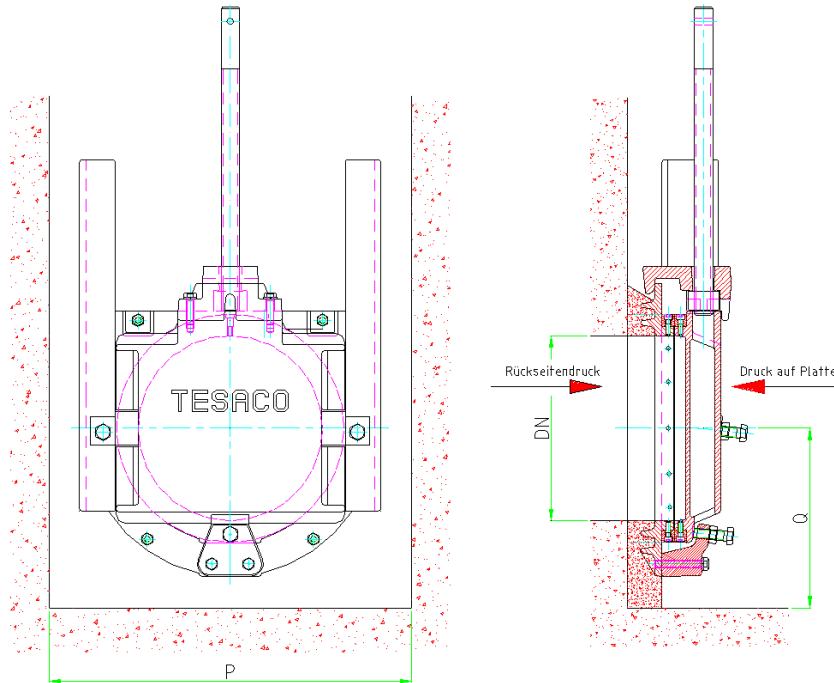


Dimension DN 150 to 350 - Grouted fixing



Dimension	P	Q	Weight [kg]
DN 150	400	225	52
DN 200	450	250	63
DN 250	500	275	77
DN 300	550	300	92
DN 350	600	325	107

Installation dimensions see page: 9000-0050

All dimensions in mm

Design: TESACO, acc. to DIN 19569-4, BS 7775:2005, ANSI/AWWA C561-04, 4-face sealing

Material: Frame, door and lateral guides fabricated from DIN EN 1561 EN-GJL-250 (GG-25)
 Exchangeable block seal on frame and door made from corrosion resistant bronze
 Spindle nut made of corrosion resistant bronze
 Spindle made of stainless steel type 316
 Fastening elements made from S.S.316

Corrosion protection: Shot blasting acc. DIN ISO 55928, SA 2 1/2
 with 400 µm Polyurethane or Epoxy coating