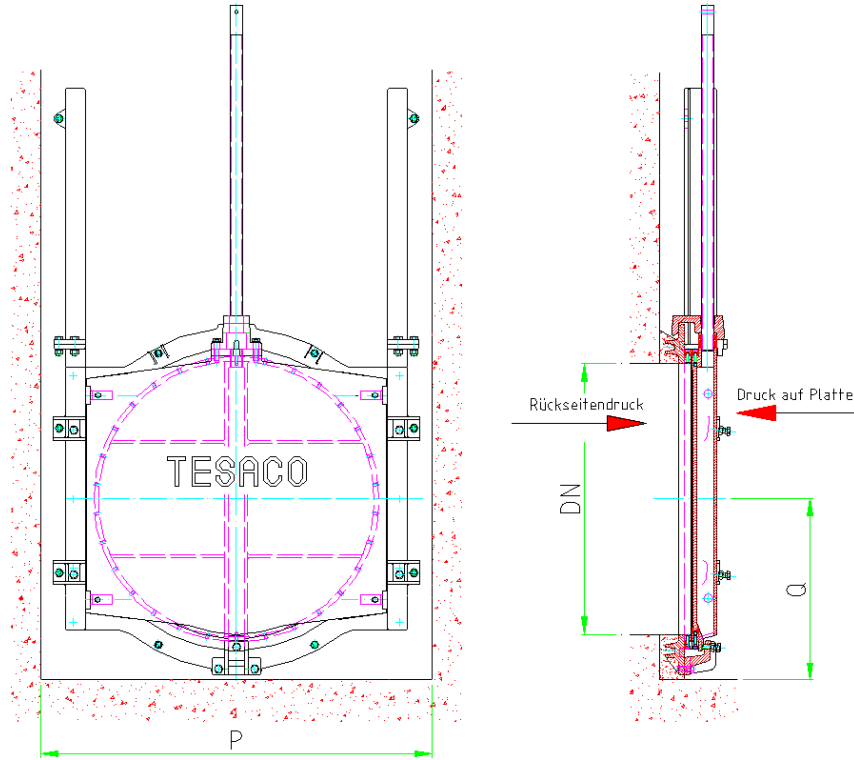


Dimension DN 800 to 1000 - Grouted fixing



Dimension	P	Q	Weight [kg]
DN 800	1250	550	410
DN 900	1350	600	425
DN 1000	1450	650	655

Installation dimensions see page: 9000-0052

All dimensions in mm

Design: TESACO, acc. to DIN 19569-4, BS 7775:2005, ANSI/AWWA C561-04, 4-face sealing

Material: Frame, door and lateral guides fabricated from DIN EN 1561 EN-GJL-250 (GG-25)
 Exchangeable block seal on frame and door made from corrosion resistant bronze
 Spindle nut made of corrosion resistant bronze
 Spindle made of stainless steel type 316
 Fastening elements made from S.S.316

Corrosion protection: Shot blasting acc. DIN ISO 55928, SA 2 1/2
 with 400 µm Polyurethane or Epoxy coating