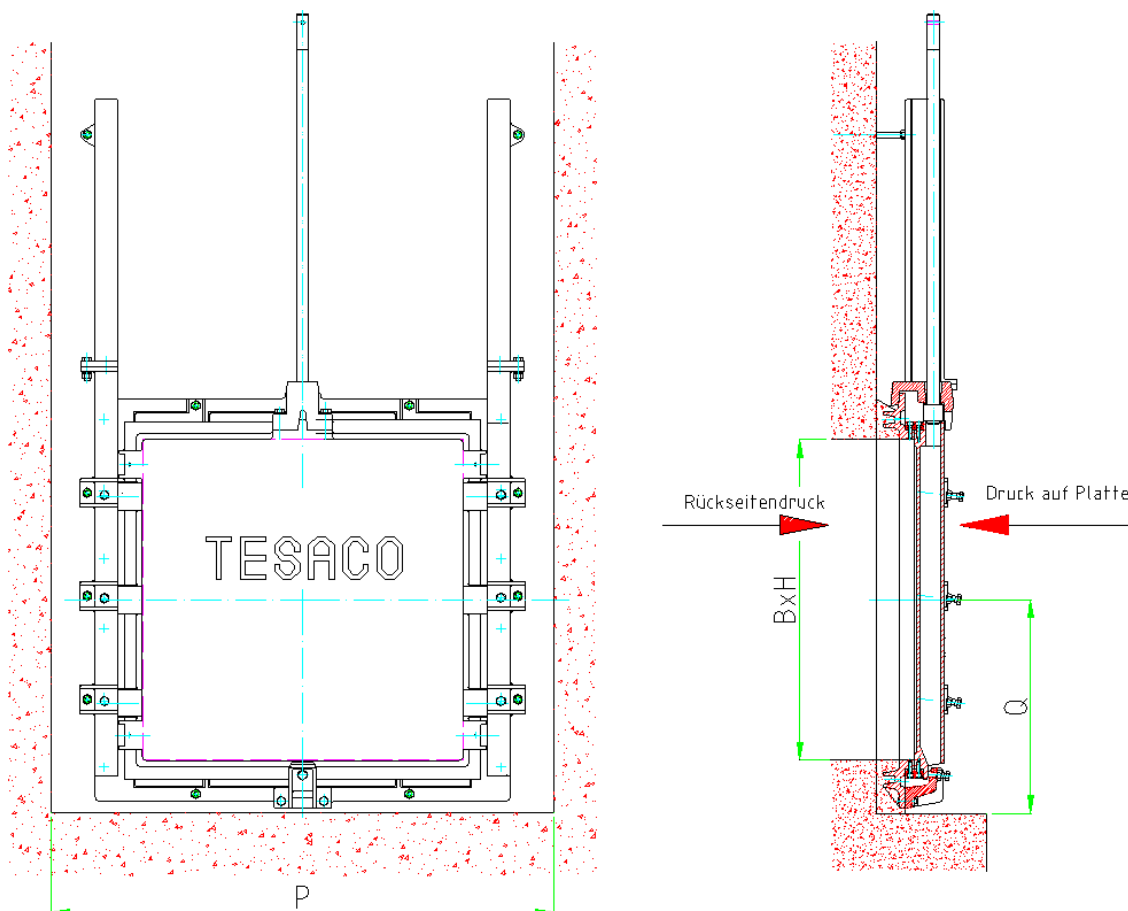


Dimension 900 x 900 to 1200 x 1200 - Grouted fixing



Dimension	P	Q	Weight [kg]
900 x 900	1350	600	535
1000 x 1000	1450	650	725
1100 x 1100	1550	700	755
1200 x 1200	1650	750	790

Installation dimensions see page: 9000-0064

All dimensions in mm

Design: TESACO, acc. to DIN 19569-4, BS 7775:2005, ANSI/AWWA C561-04, 4-face sealing

Material: Frame, door and lateral guides fabricated from DIN EN 1561 EN-GJL-250 (GG-25)
 Exchangeable block seal on frame and door made from corrosion resistant bronze
 Spindle nut made of corrosion resistant bronze
 Spindle made of stainless steel type 316
 Fastening elements made from S.S.316

Corrosion protection: Shot blasting acc. DIN ISO 55928, SA 2 1/2
 with 400 µm Polyurethane or Epoxy coating