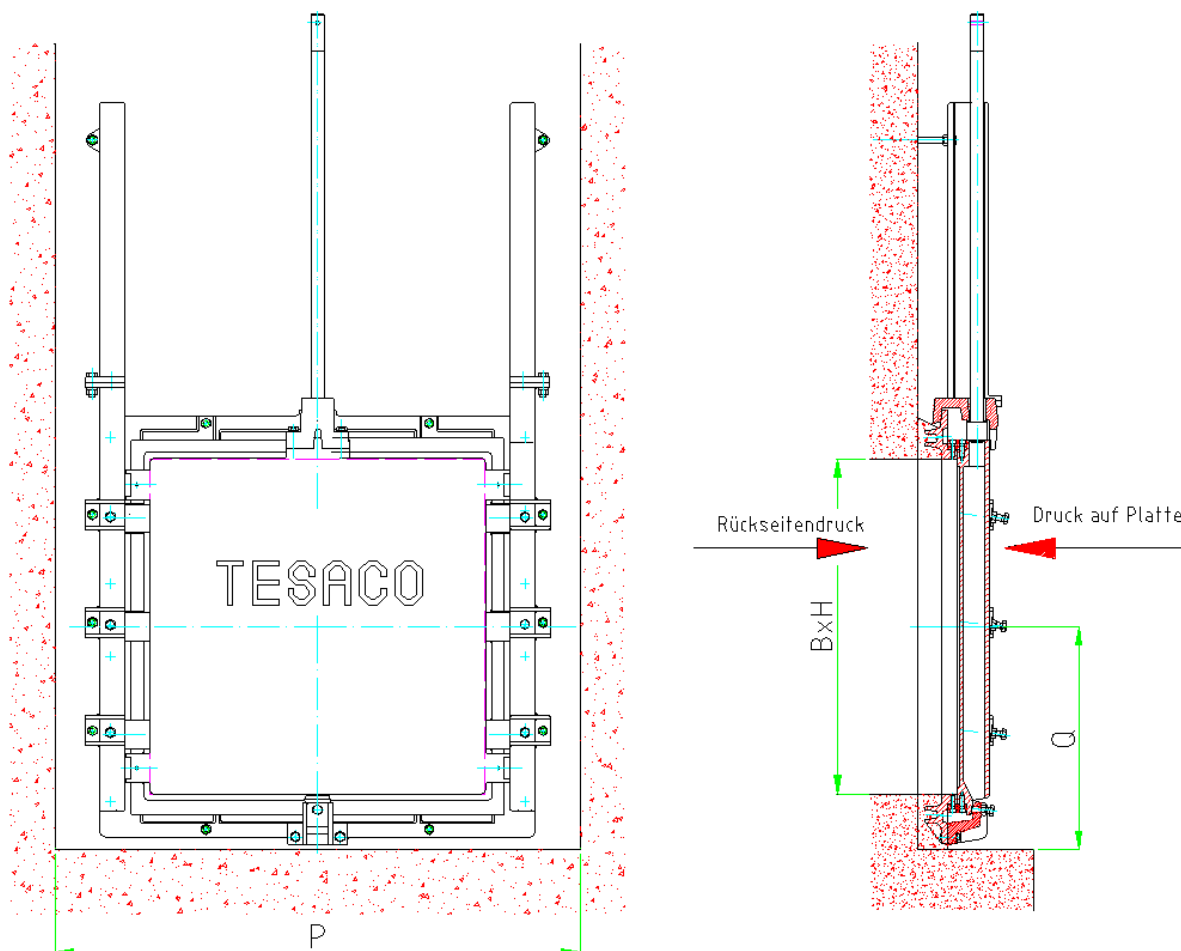


## Dimension 1400 x 1400 to 2000 x 2000 - Grouted fixing



Dimension	P	Q	Gewicht [ kg ]
1400 x 1400	1900	900	1090
1500 x 1500	2000	950	1240
1600 x 1600	2100	1000	1410
1800 x 1800	2300	1100	1990
2000 x 2000	2500	1300	1480

Installation dimensions see page: 9000-0065

All dimensions in mm

Design: TESACO, acc. to DIN 19569-4, BS 7775:2005, ANSI/AWWA C561-04, 4-face sealing

Material: Frame, door and lateral guides fabricated from DIN EN 1561 EN-GJL-250 (GG-25)  
 Exchangeable block seal on frame and door made from corrosion resistant bronze  
 Spindle nut made of corrosion resistant bronze  
 Spindle made of stainless steel type 316  
 Fastening elements made from S.S.316

Corrosion protection: Shot blasting acc. DIN ISO 55928, SA 2 1/2 with 400 µm Polyurethane or Epoxy coating