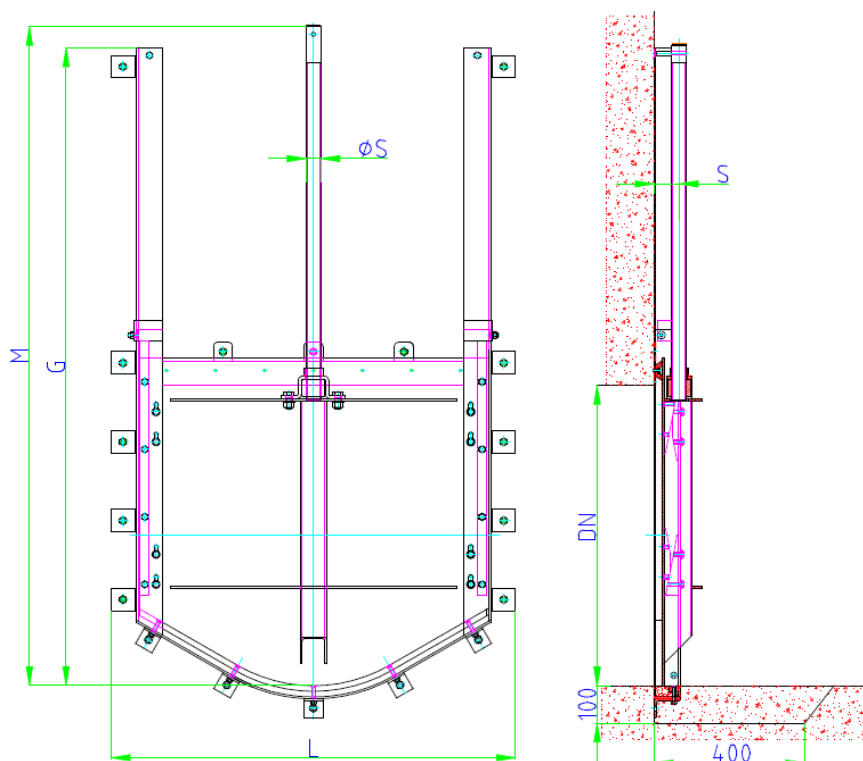


Dimension DN 700 to 1200 - Wall fixing



Dimension	L	G	M	S	ØS	Weight [kg]
DN 700	970	1505	1540	65	40	110
DN 800	1070	1700	1760	65	40	135
DN 900	1190	1900	1940	75	40	150
DN 1000	1290	2100	2150	75	40	170
DN 1200	1490	2500	2540	75	45	220

All dimensions in mm

Design: TESACO, acc. to DIN 19569-4, BS 7775:2005, ANSI/AWWA C561-04, 4-face sealing

Material: The following standard material combinations are available:

- Type: A4 - Frame and door fabricated from S.S. 316
- Type: A2 - Frame and door fabricated from S.S. 304
- Type: ST - Frame and door fabricated from galvanized steel

Door seal made of waste water resistant neoprene
 Wall seal made of Silicone (to be provided locally)
 Wedge components made of plastic PA
 Spindle nut made of corrosion resistant bronze
 Spindle made of stainless steel type 316
 Fastening elements made from S.S.316

Corrosion protection: Stainless steel pickled and passivated