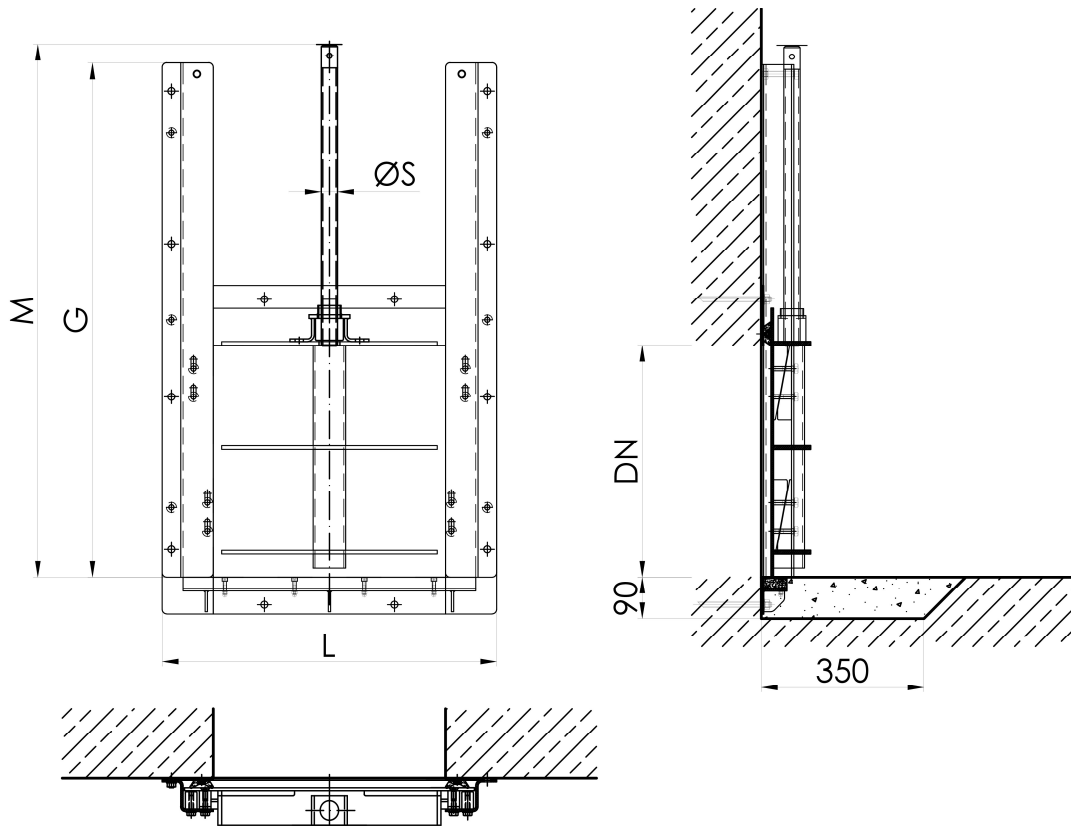


## Dimension 200 x 200 to 600 x 600 - Wall fixing



Dimension	L	G	M	S	ØS	Weight [ kg ]
200 x 200	430	500	550	55	30	20
300 x 300	530	700	760	55	30	25
400 x 400	670	900	950	65	30	45
500 x 500	770	1100	1170	65	35	65
600 x 600	870	1300	1330	65	35	80

All dimensions in mm

Design: TESACO, acc. to DIN 19569-4, BS 7775:2005, ANSI/AWWA C561-04, 4-face sealing

Material: The following standard material combinations are available:

Type: A4 - Frame and door fabricated from S.S. 316  
 Type: A2 - Frame and door fabricated from S.S. 304

Door seal made of waste water resistant neoprene  
 Wall seal made of Silicone (to be provided locally)  
 Wedge components made of plastic PA  
 Spindle nut made of corrosion resistant bronze  
 Spindle made of stainless steel type 316  
 Fastening elements made from S.S.316

Corrosion protection: Stainless steel pickled and passivated