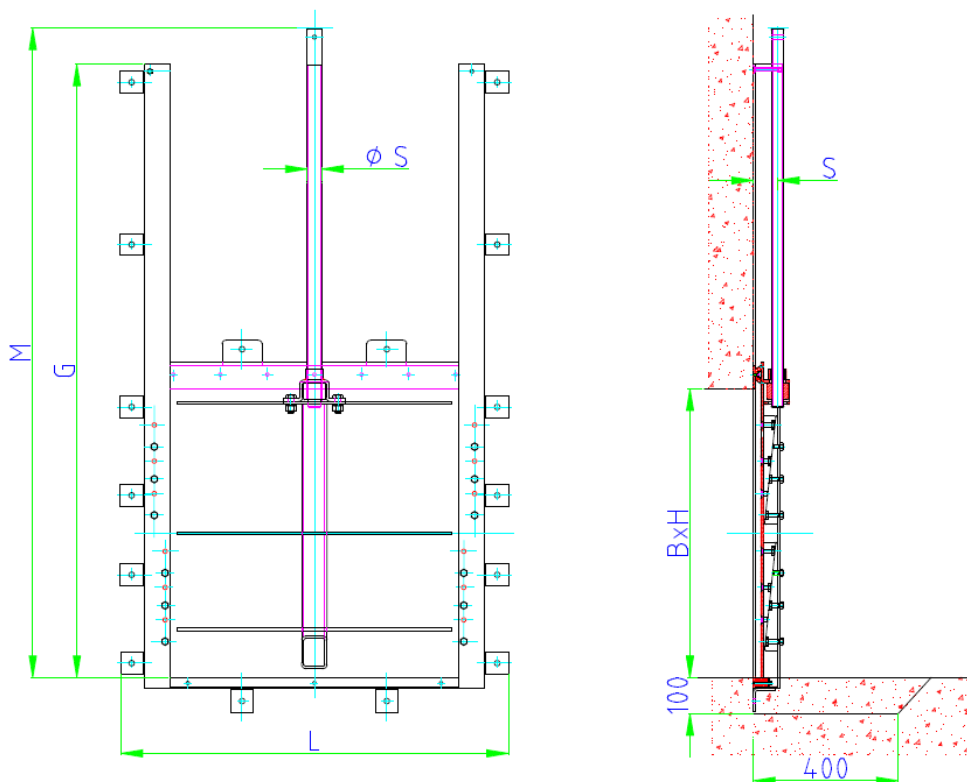


Dimension 700 x 700 to 1200 x 1200 - Wall fixing



Dimension	L	G	M	S	ØS	Weight [kg]
700 x 700	970	1500	1600	65	40	100
800 x 800	1070	1700	1800	65	40	120
900 x 900	1170	1900	1950	65	40	135
1000 x 1000	1270	2100	2150	65	40	150
1100 x 1100	1370	2300	2250	65	40	180
1200 x 1200	1470	2530	2540	65	45	210

All dimensions in mm

Design: TESACO, acc. to DIN 19569-4, BS 7775:2005, ANSI/AWWA C561-04, 4-face sealing

Material: The following standard material combinations are available:

Type: A4 - Frame and door fabricated from S.S. 316
 Type: A2 - Frame and door fabricated from S.S. 304

Door seal made of waste water resistant neoprene
 Wall seal made of Silicone (to be provided locally)
 Wedge components made of plastic PA
 Spindle nut made of corrosion resistant bronze
 Spindle made of stainless steel type 316
 Fastening elements made from S.S.316

Corrosion protection: Stainless steel pickled and passivated