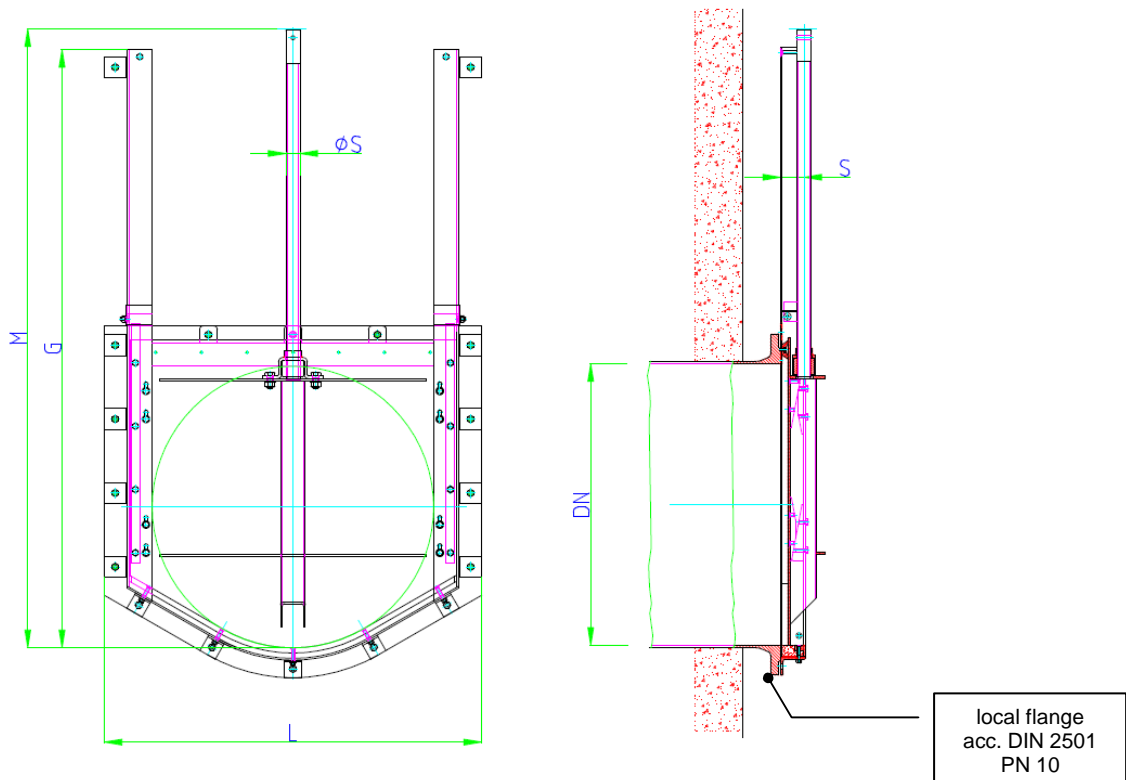


Dimension DN 700 to 1200 - Pipe flange fixing



Dimension	L	G	M	S	ØS	Weight [kg]
DN 700	970	1505	1540	65	40	122
DN 800	1070	1700	1760	65	40	150
DN 900	1190	1900	1940	75	40	165
DN 1000	1290	2100	2150	75	40	188
DN 1200	1490	2500	2540	75	45	142

All dimensions in mm

Design: TESACO, acc. to DIN 19569-4, BS 7775:2005, ANSI/AWWA C561-04, 4-face sealing

Material: The following standard material combinations are available:

Type: A4 - Frame, door, yoke and flange plate fabricated from S.S. 316

Type: A2 - Frame, door, yoke and flange plate fabricated from S.S. 304

Sealing made from waste water resistant rubber neoprene

Wedge components made of plastic PA

Spindle nut made of zinc-free bronze

Spindle made from S.S. 316

Flange seal to be provided locally if not individually agreed

Flange fastening to be provided locally if not individually agreed

Corrosion protection: Stainless steel pickled and passivated