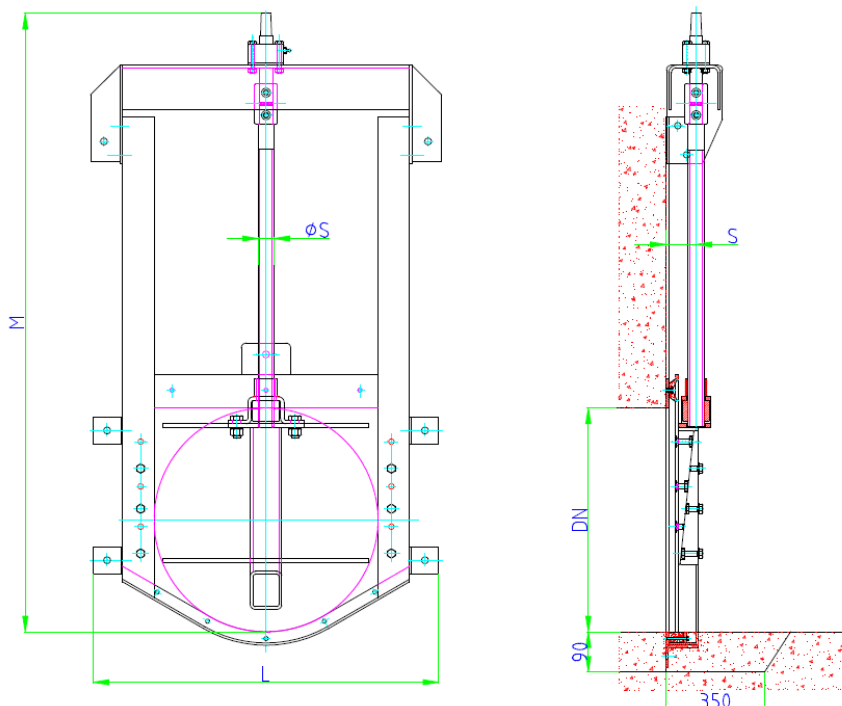


Dimension DN 150 to 600 - Wall fixing - Closed top penstock frame -

Closed top penstock frame



Dimension	L	M	S	ØS	Weight [kg]
DN 150	380	615	50	24	16
DN 200	430	690	50	24	18
DN 250	520	760	55	30	30
DN 300	570	890	55	30	38
DN 350	620	990	55	30	42
DN 400	670	1090	55	30	50
DN 500	770	1330	70	35	66
DN 600	870	1530	70	35	82

All dimensions in mm

Design: TESACO, acc. to DIN 19569-4, BS 7775:2005, ANSI/AWWA C561-04, 4-face sealing

Material: The following standard material combinations are available:

Type: A4 - Frame, door and yoke fabricated from S.S. 316
 Type: A2 - Frame, door and yoke fabricated from S.S. 304

Sealing made from waste water resistant rubber neoprene
 Wedge components made of plastic PA
 Spindle nut made of zinc-free bronze
 Spindle made from S.S. 316
 Fastening elements made from S.S.316

Corrosion protection: Stainless steel pickled and passivated