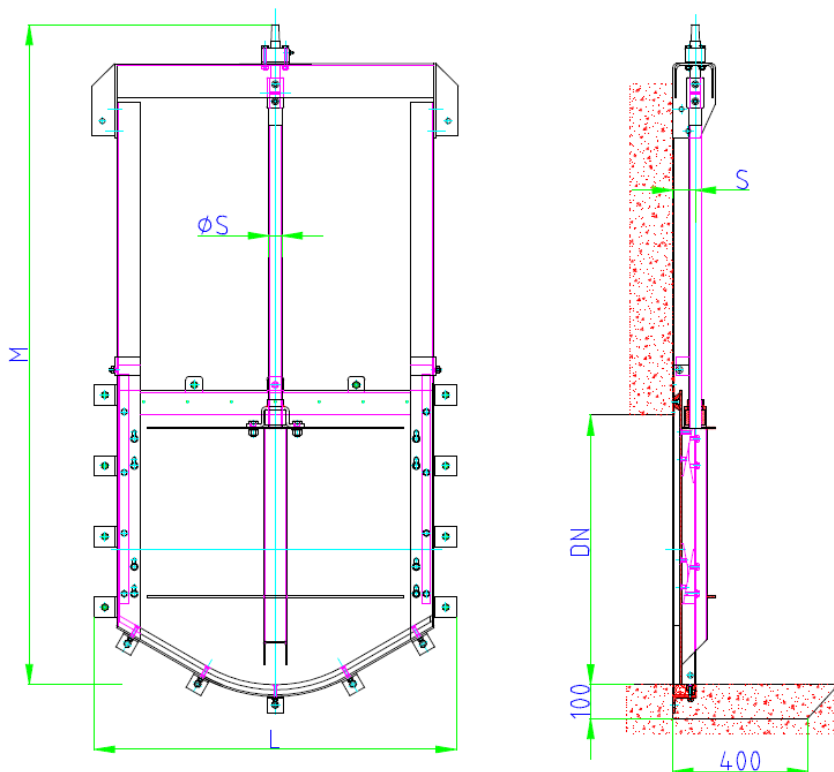


Dimension DN 700 to 1200 - Wall fixing - Closed top penstock frame -

Closed top penstock frame



Dimension	L	M	S	ØS	Weight [kg]
DN 700	970	1740	65	40	120
DN 800	1070	1960	65	40	150
DN 900	1190	2140	75	40	165
DN 1000	1290	2400	75	40	190
DN 1200	1490	2790	75	45	240

All dimensions in mm

Design: TESACO, acc. to DIN 19569-4, BS 7775:2005, ANSI/AWWA C561-04, 4-face sealing

Material: The following standard material combinations are available:

Type: A4 - Frame, door and yoke fabricated from S.S. 316
 Type: A2 - Frame, door and yoke fabricated from S.S. 304

Sealing made from waste water resistant rubber neoprene
 Wedge components made of plastic PA
 Spindle nut made of zinc-free bronze
 Spindle made from S.S. 316
 Fastening elements made from S.S.316

Corrosion protection: Stainless steel pickled and passivated