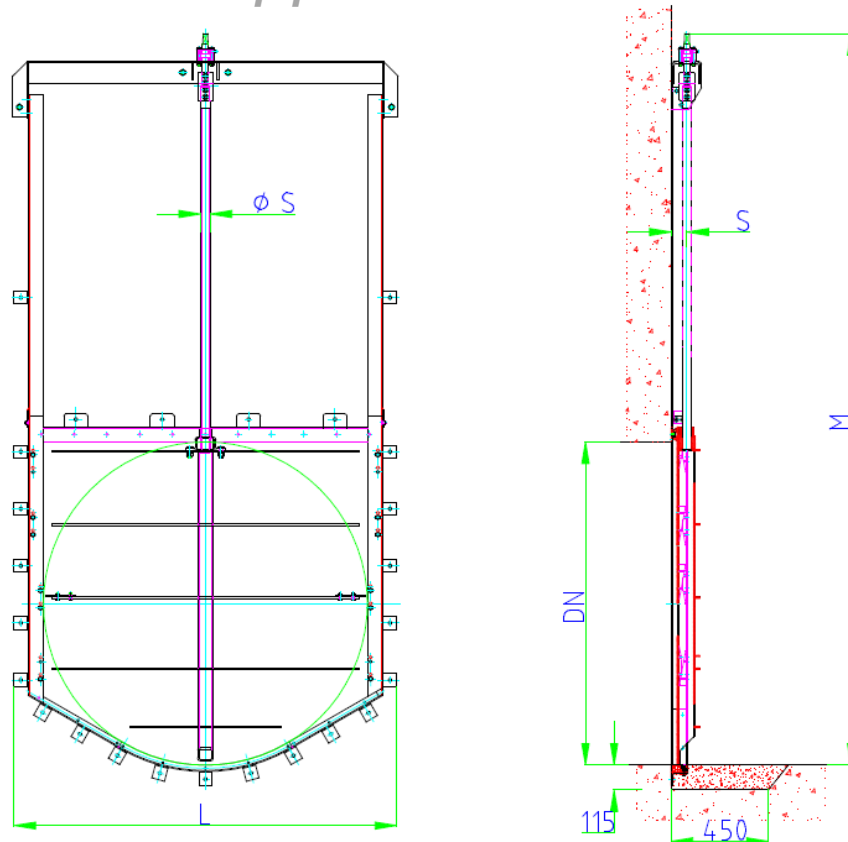


## Dimension DN 1300 to 2200 - Wall fixing - Closed top penstock frame -

Closed top penstock frame



Dimension	L	G	M	S	ØS	Weight [ kg ]
DN 1300	1580	2495	3000	70	45	365
DN 1400	1680	2695	3200	70	45	390
DN 1500	1780	2895	3500	80	45	410
DN 1600	1880	3245	3600	80	60	520
DN 1800	2080	3450	4010	80	60	620
DN 2000	2280	3850	4400	100	70	730
DN 2200	2480	4250	4800	100	70	820

Alle Maße in mm

Design: TESACO, acc. to DIN 19569-4, BS 7775:2005, ANSI/AWWA C561-04, 4-face sealing

Material: The following standard material combinations are available:

- Type: A4 - Frame, door and yoke fabricated from S.S. 316
- Type: A2 - Frame, door and yoke fabricated from S.S. 304

Sealing made from waste water resistant rubber neoprene  
 Wedge components made of plastic PA  
 Spindle nut made of zinc-free bronze  
 Spindle made from S.S. 316  
 Fastening elements made from S.S.316

Corrosion protection: Stainless steel pickled and passivated