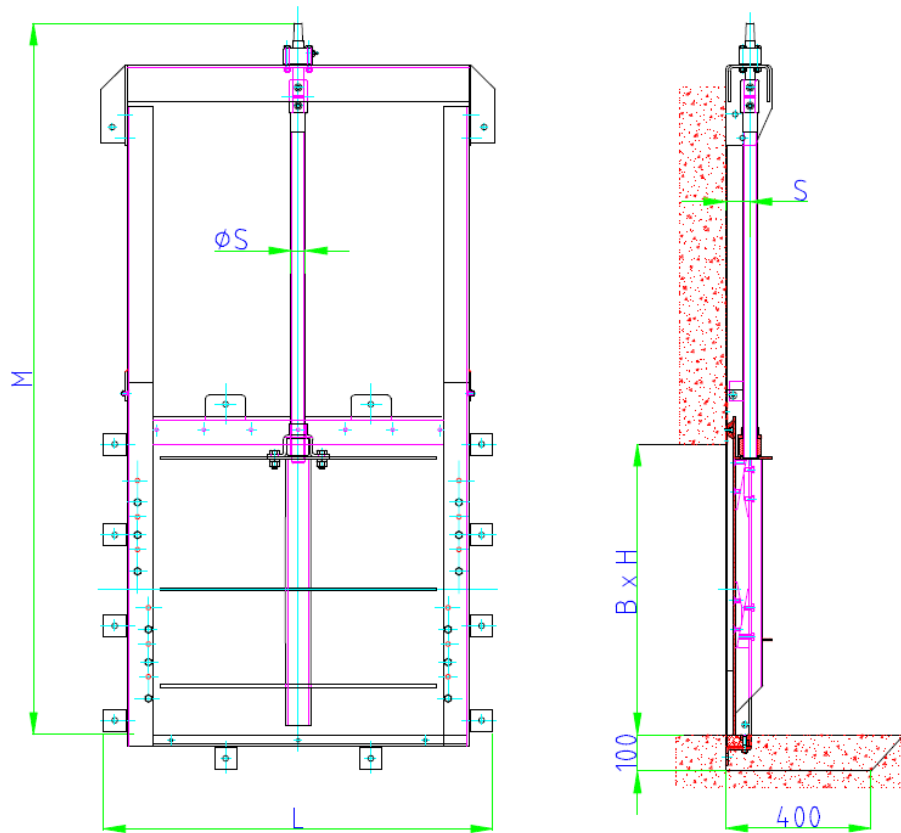


## Dimension 700 x 700 to 1200 x 1200 - Wall fixing - Closed top penstock frame -

Closed top penstock frame



Dimension BxH	L	M	S	ØS	Weight [ kg ]
700 x 700	970	1740	65	40	120
800 x 800	1070	1960	65	40	150
900 x 900	1190	2140	75	40	165
1000 x 1000	1290	2400	75	40	190
1200 x 1200	1490	2790	75	45	240

All dimensions in mm

Design: TESACO, acc. to DIN 19569-4, BS 7775:2005, ANSI/AWWA C561-04, 4-face sealing

Material: The following standard material combinations are available:

- Type: A4 - Frame, door and yoke fabricated from S.S. 316
- Type: A2 - Frame, door and yoke fabricated from S.S. 304

Sealing made from waste water resistant rubber neoprene  
 Wedge components made of plastic PA  
 Spindle nut made of zinc-free bronze  
 Spindle made from S.S. 316  
 Fastening elements made from S.S.316

Corrosion protection: Stainless steel pickled and passivated