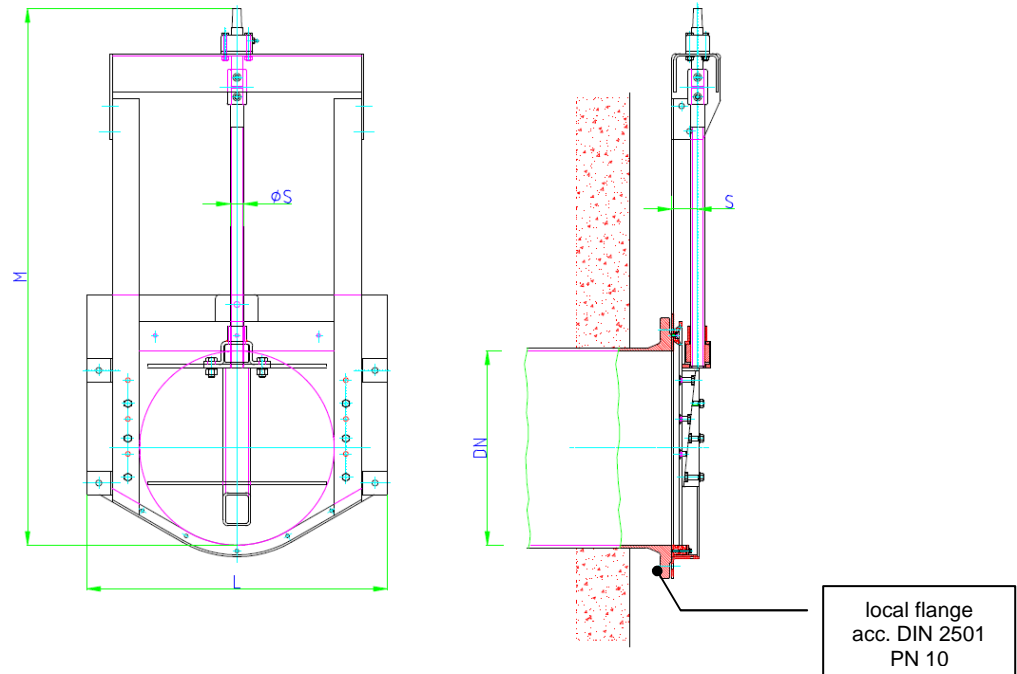


Dimension DN 150 to 600 - Pipe flange fixing - Closed top penstock frame -

Closed top penstock frame



Dimension BxH	L	M	S	ØS	Weight [kg]
DN 150	380	615	50	24	18
DN 200	430	690	50	24	20
DN 250	520	760	55	30	34
DN 300	570	890	55	30	42
DN 350	620	990	55	30	48
DN 400	670	1090	55	30	56
DN 500	770	1330	70	35	74
DN 600	870	1530	70	35	92

All dimensions in mm

Design: TESACO, acc. to DIN 19569-4, BS 7775:2005, ANSI/AWWA C561-04, 4-face sealing

Material: The following standard material combinations are available:

- Type: A4 - Frame, door, yoke and flange plate fabricated from S.S. 316
- Type: A2 - Frame, door, yoke and flange plate fabricated from S.S. 304

Sealing made from waste water resistant rubber neoprene
 Wedge components made of plastic PA
 Spindle nut made of zinc-free bronze
 Spindle made from S.S. 316
 Flange seal to be provided locally if not individually agreed
 Flange fastening to be provided locally if not individually agreed

Corrosion protection: Stainless steel pickled and passivated