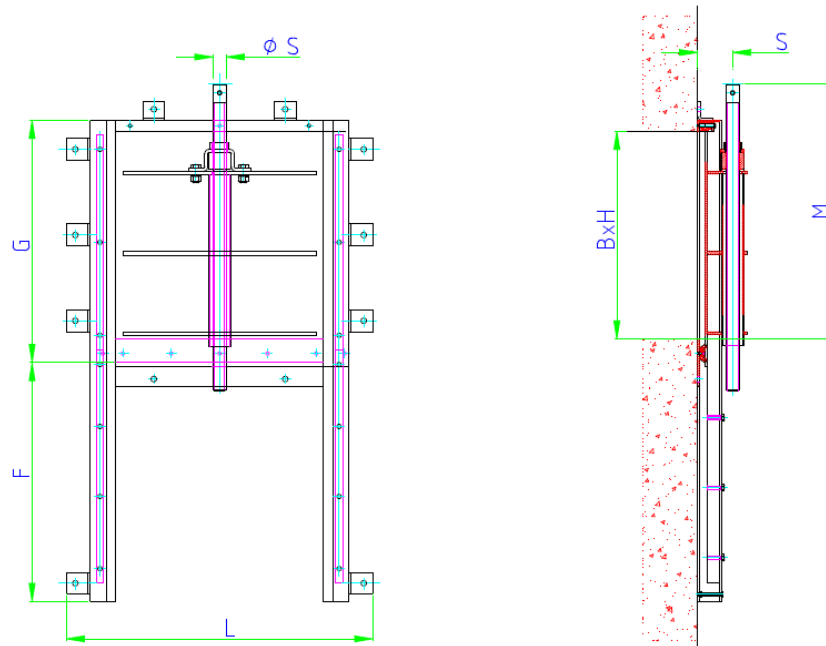


Dimension 200 x 200 to 600 x 600 - Wall fixing



Dimension BxH	L	G	F	M	S	ØS	Weight [kg]
200 x 200	430	320	250	350	80	30	20
300 x 300	530	420	350	450	80	30	25
400 x 400	670	520	450	550	90	30	45
500 x 500	770	620	550	650	90	35	65
600 x 600	870	720	650	750	90	35	80

All dimensions in mm

Design: TESACO, acc. to DIN 19569-4, BS 7775:2005, ANSI/AWWA C561-04, 4-face sealing

Material: The following standard material combinations are available:

Type: A4 - Frame and door fabricated from S.S. 316
 Type: A2 - Frame and door fabricated from S.S. 304

Door seal made of waste water resistant neoprene
 Wall seal made of Silicone (to be provided locally)
 Spindle nut made of corrosion resistant bronze
 Spindle made of stainless steel type 316
 Fastening elements made from S.S.316

Corrosion protection: Stainless steel pickled and passivated