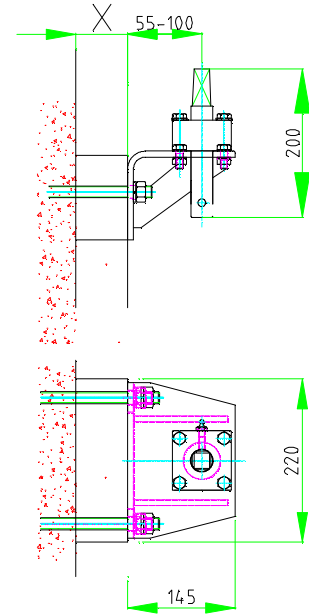
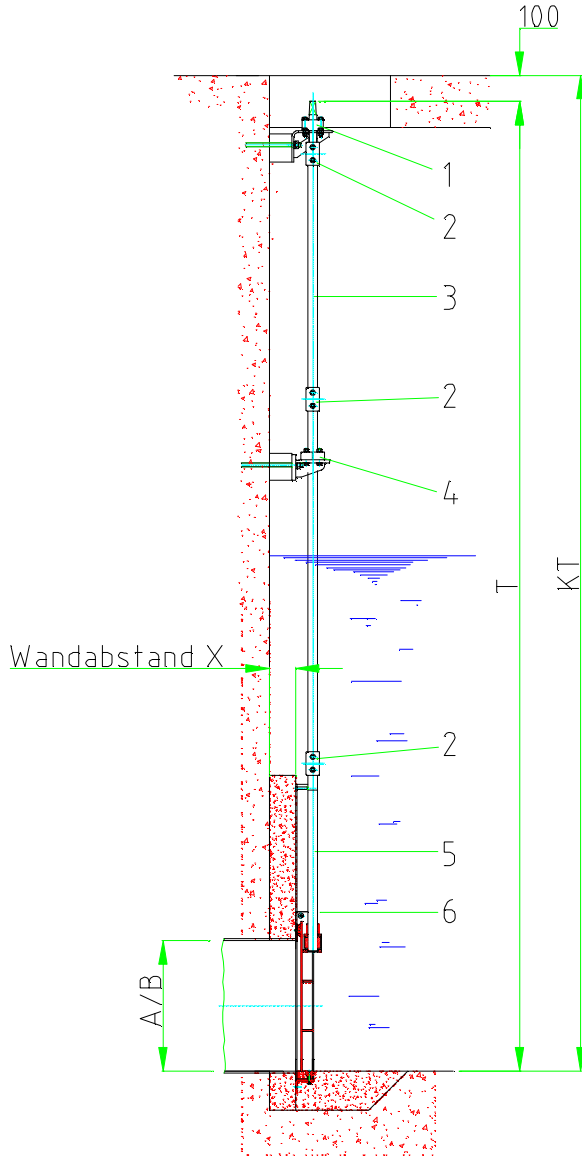


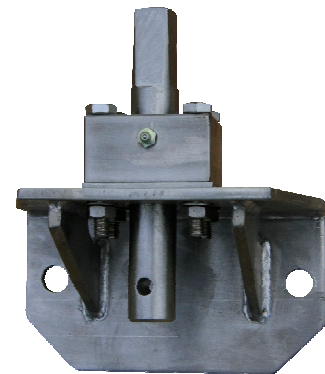
Wall bracket with square cap – T-key operated - for increased wall distance -

Below floor level

Manual



Please state wall distance X for any enquiry/order



KEY

- 1 Drive
- 2 Coupling
- 3 Spindle extension
- 4 Spindle guide (only if required)
- 5 Spindle
- 6 Penstock

- T Installation depth
- KT Channel depth

Material:

Wall bracket made from S.S. 316
 Distance adapter made from S.S. 316
 Shaft with square cap (21/25) made from S.S. 316
 Ball bearing acc. DIN 625
 Fastening elements made from S.S. 316

Optional: with digital position indicator

Operating: manual by T-key / Operating key
 Type 21/25, acc. Page No. N10-001-E