

## Wall bracket with square cap – T-key operated with upper rod extension

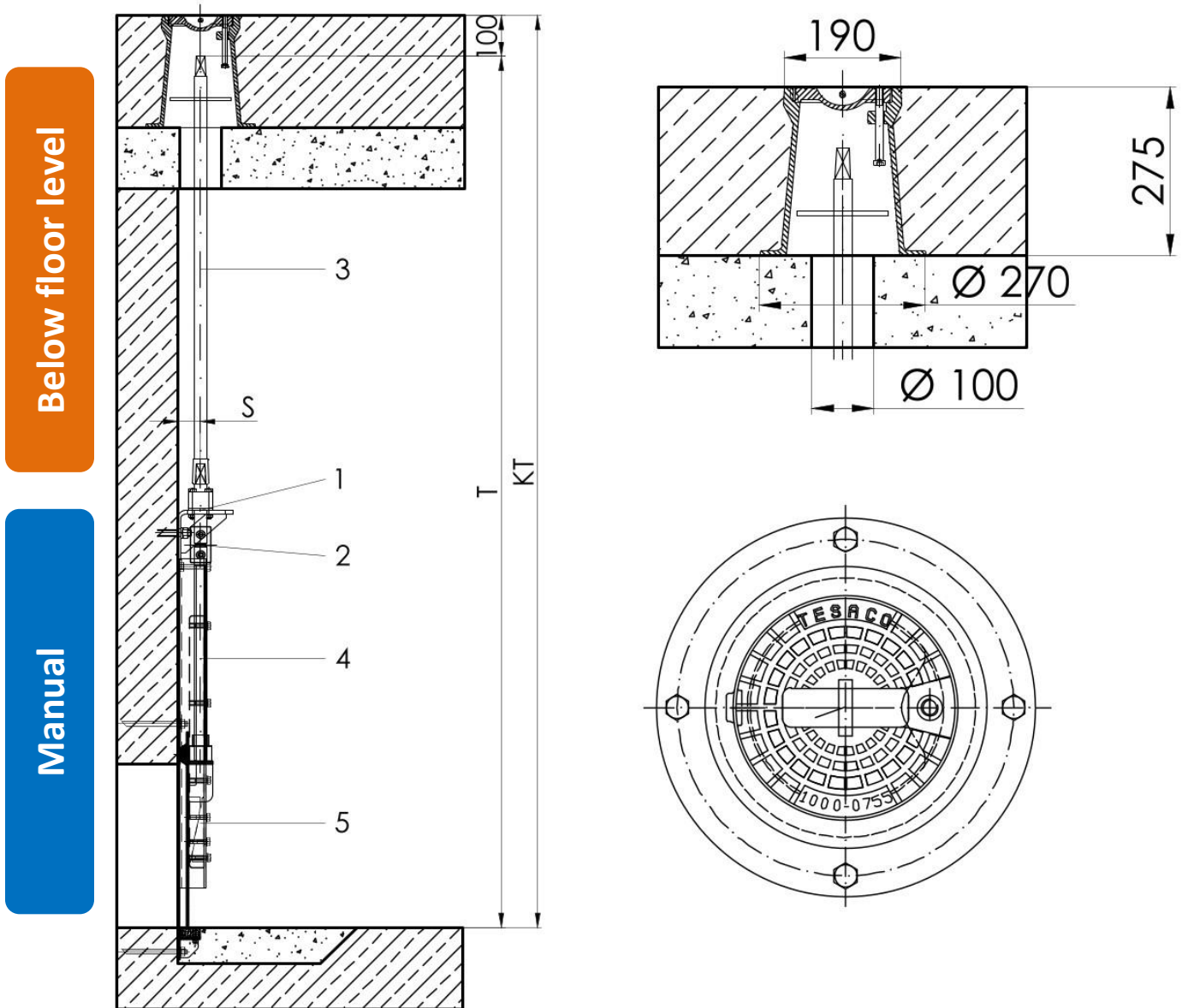


Figure with Penstock C20-Series

**KEY**

- 1 Drive
- 2 Coupling
- 3 Upper rod extension
- 4 Spindle
- 5 Penstock

- T Installation depth
- KT Channel depth

**Material:**

Bracket made from S.S. 316 / 304  
 Driveshaft with square cap (21/25) made from S.S. 316  
 Ball bearing acc. DIN 625  
 Upper rod extension made from S.S. 316 / 304  
 Fastening elements made from S.S. 316

Surface box and protection tube to be provided locally,  
 if not agreed otherwise

**Operating:** Operation key (T-key) type 21/25