

Headstock with bevel gear and handwheel - for concrete ceiling -

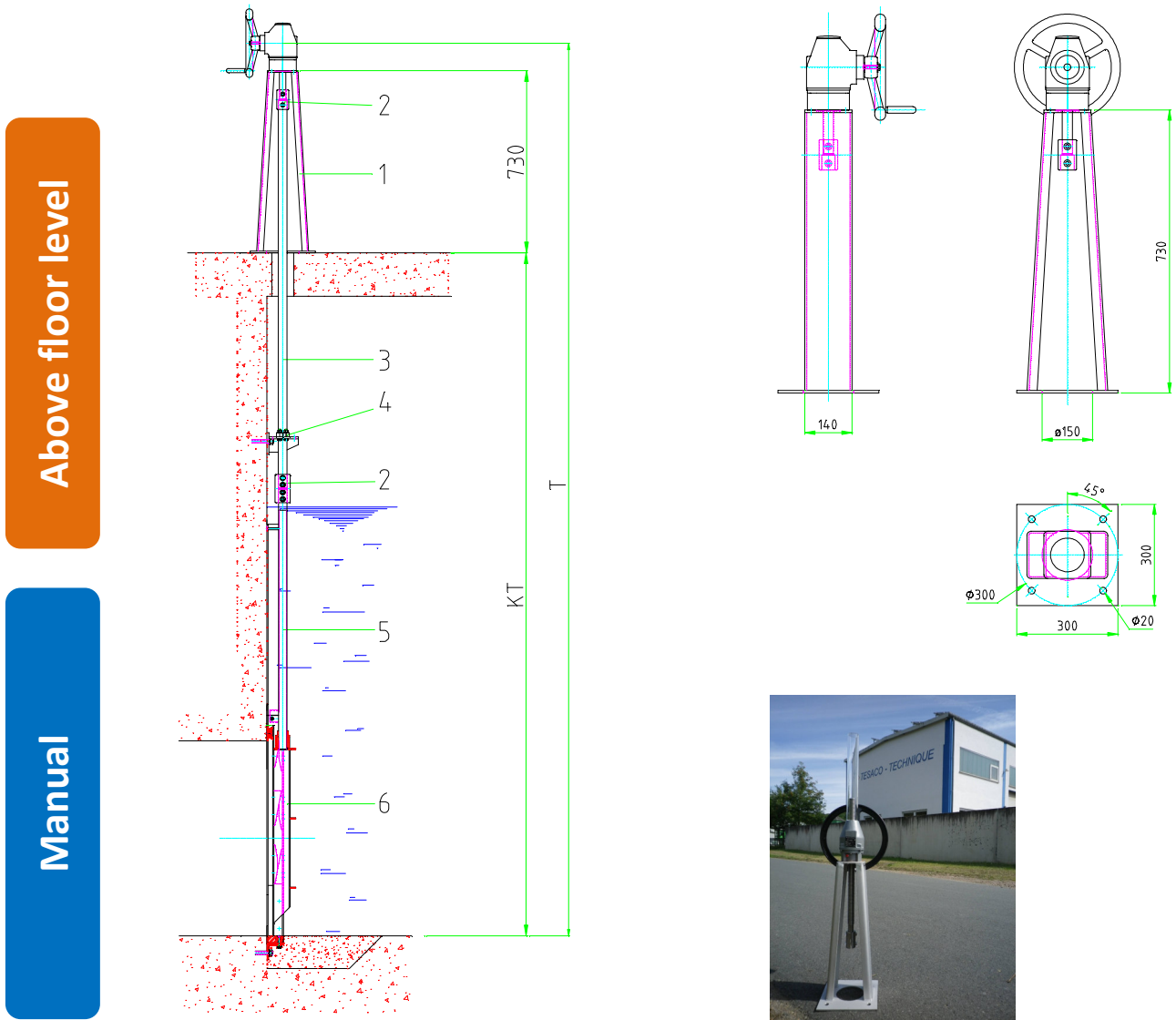


Figure with Penstock C20-Series

Image with rising spindle and clear plastic cover tube

KEY

- 1 Headstock with bevel gear and handwheel
- 2 Coupling
- 3 Spindle extension
- 4 Spindle guide (only if required)
- 5 Spindle
- 6 Penstock

- T Installation depth
- KT Channel depth

Material:

Headstock made from S.S. 316 / 304
Driveshaft made from S.S. 316 / 304
Fastening elements made from S.S. 316

Bevel gear: AUMA, Rotork Gears

Optional: - with digital position indicator
- with rising spindle and clear plastic cover tube

Operating: manual