

Headstock with electric actuator - for concrete ceiling -

Above floor level

Electric

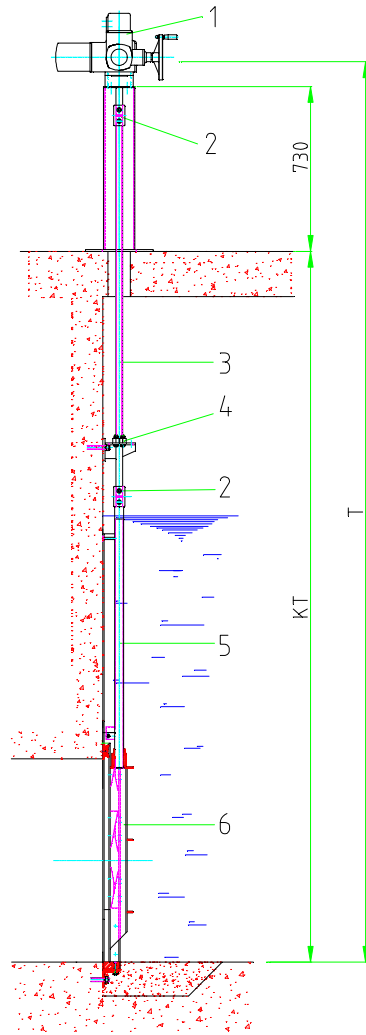
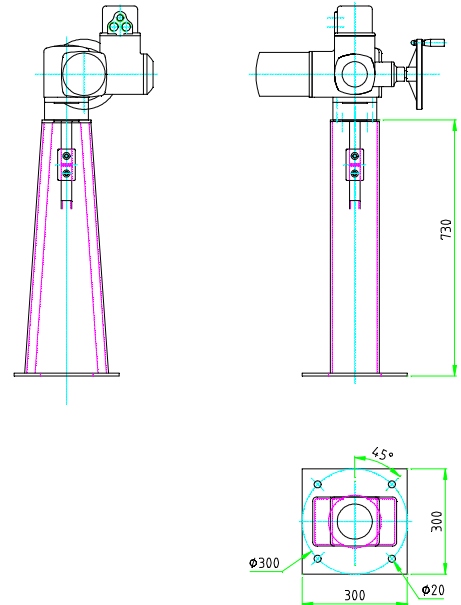


Figure with Penstock C20-Series



KEY

- 1 Headstock with electric actuator
- 2 Coupling
- 3 Spindle extension
- 4 Spindle guide (only if required)
- 5 Spindle
- 6 Penstock

- T Installation depth
- KT Channel depth

Material:

Headstock made from S.S. 316 / 304
Driveshaft made from S.S. 316 / 304
Fastening elements made from S.S. 316

El. actuator: AUMA, Drehmo, Rotork Controls
or any other requested brand

Optional: Features of electric actuator acc.
to requirements