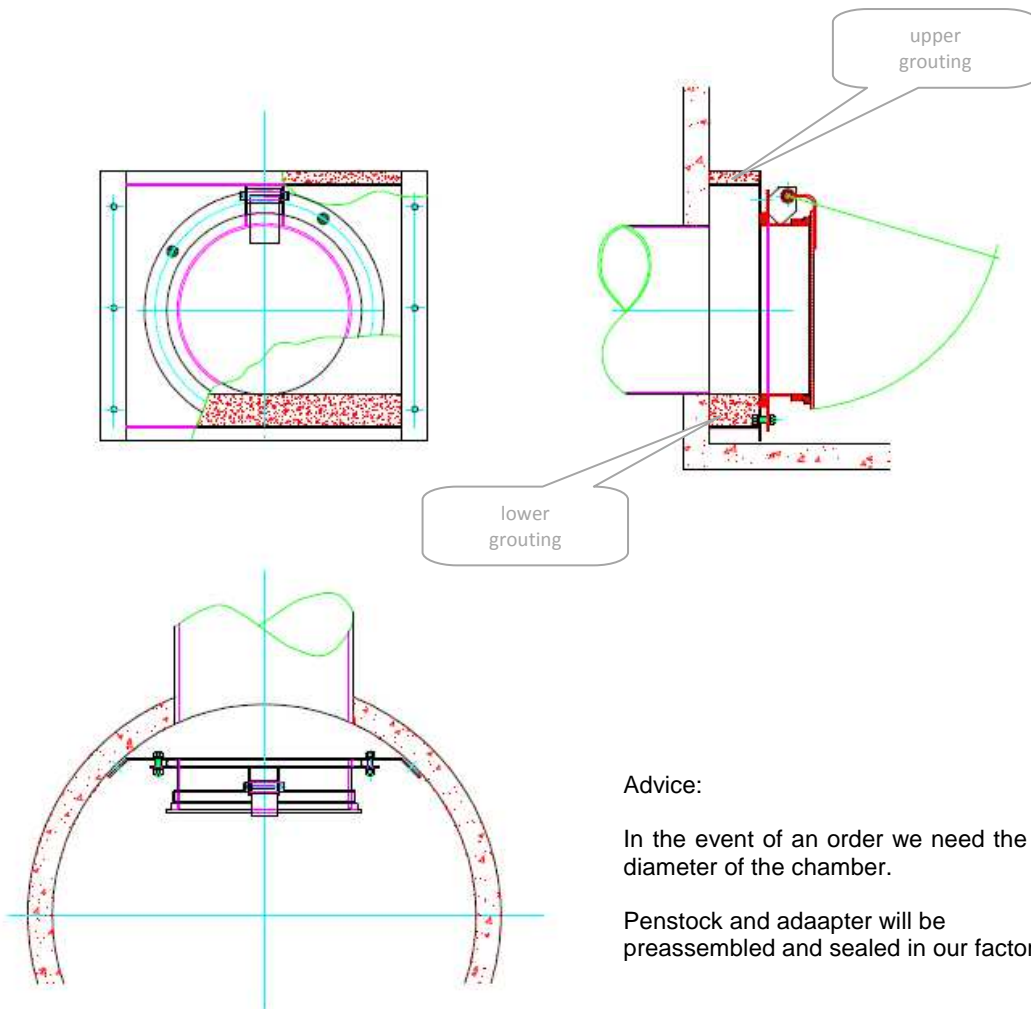


Dimension DN 80 to DN 1200

for Flap Valves



Advice:

In the event of an order we need the inside diameter of the chamber.

Penstock and adapter will be preassembled and sealed in our factory.

Design: TESACO

Material: The following standard material combinations are available:

Type: A4 - Adapter fabricated from S.S. 316
Type: A2 - Adapter fabricated from S.S. 304

Fastening elements made from S.S.316

Corrosion protection: Stainless steel pickled and passivated