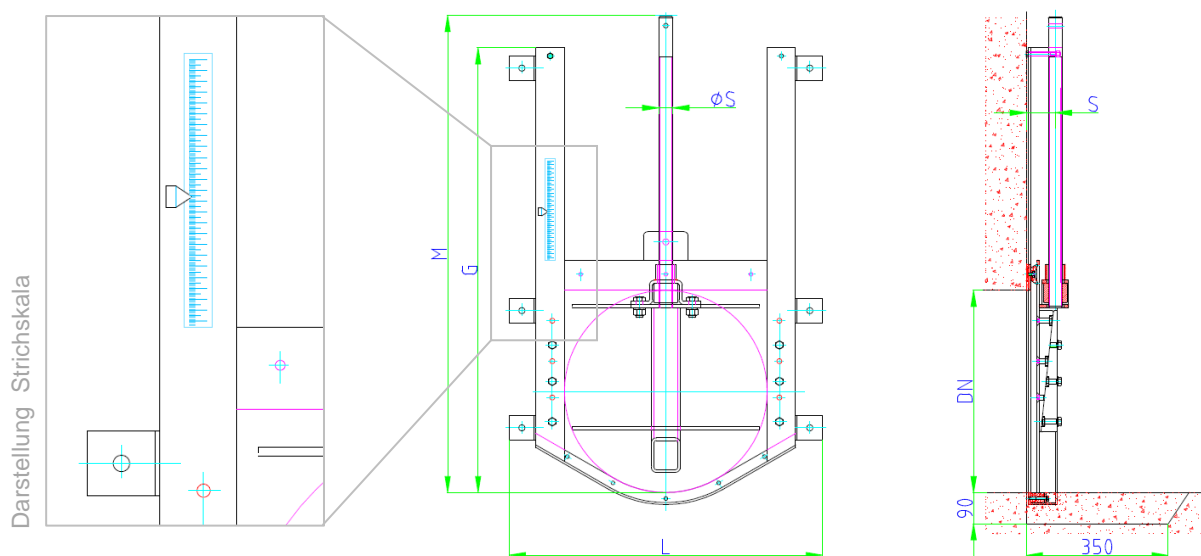
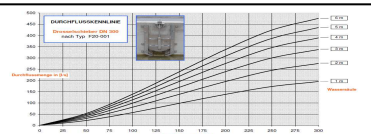


Dimension DN 150 to 600 - Wall fixing



Control adjustment:

Flow through graphs or individual flow through calculations will be provided by TESACO.



Dimension	L	G	M	S	ØS	Weight [kg]
DN 150	380	415	415	50	24	14
DN 200	430	510	490	50	24	16
DN 250	520	610	590	55	30	28
DN 300	570	710	710	55	30	34
DN 350	620	810	790	55	30	38
DN 400	670	900	890	55	30	45
DN 500	770	1100	1130	70	35	60
DN 600	870	1300	1350	70	35	75

All dimensions in mm

Design: TESACO, acc. to DIN 19569-4, BS 7775:2005, ANSI/AWWA C561-04, 4-face sealing

Material: The following standard material combinations are available:

- Type: A4 - Frame and door fabricated from S.S. 316
- Type: A2 - Frame and door fabricated from S.S. 304
- Type: ST - Frame and door fabricated from galvanized steel

- Door seal made of waste water resistant neoprene
- Wall seal made of Silicone (to be provided locally)
- Wedge components and slide bars made of plastic PA
- Spindle nut made of corrosion resistant bronze
- Spindle made of stainless steel type 316
- Fastening elements made from S.S.316

Corrosion protection: Stainless steel pickled and passivated