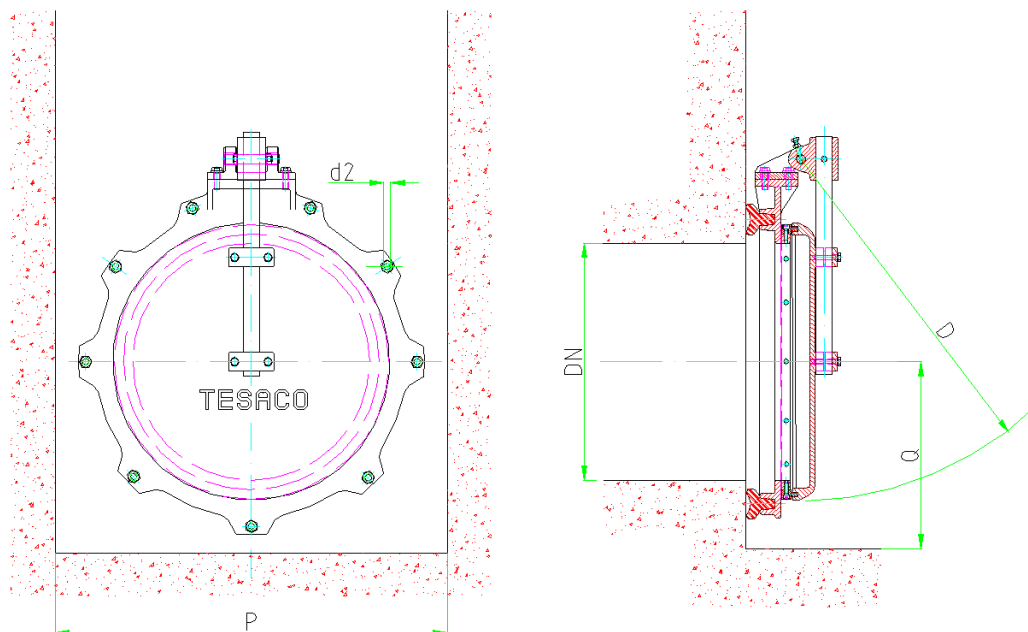


Dimension DN 200 to DN 500 - Wall fixing - with basic cover flap -



Dimension	D	P	Q	Weight [kg]
DN 200	350	400	200	18
DN 250	400	450	225	20
DN 300	450	500	250	22
DN 350	500	550	275	30
DN 400	600	600	300	35
DN 450	670	700	345	40
DN 500	720	800	370	50

All dimensions in mm

Design: TESACO, acc. to DIN 19569-4

Material: Frame and flap (Cover) fabricated from DIN EN 1561 EN-GJL-250 (GG-25)
 Frame sealing as exchangeable block seal made from corrosion resistant bronze
 Flap sealing made from waste water resistant neoprene
 Bearing pin made from S.S. 316
 Bearing bushing made from corrosion resistant bronze
 Wall sealing made from rubber neoprene
 Fastening elements made from S.S.316

Corrosion protection: Shot blasting acc. DIN ISO 55928, SA 2 1/2
 with 400 µm Polyurethane or Epoxy coating