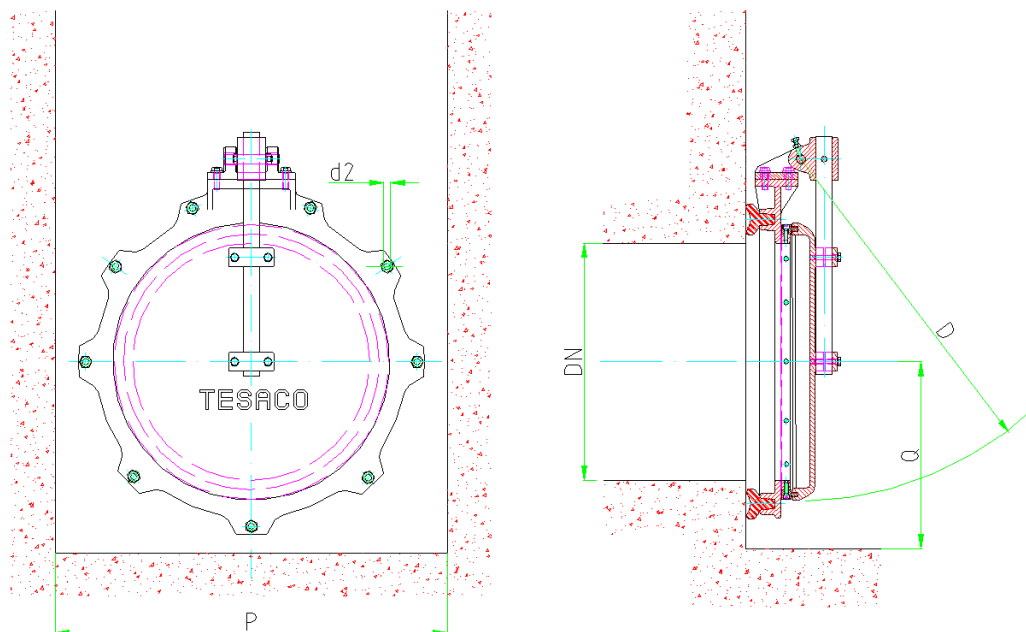


Dimension DN 600 to DN 1200 - Wall fixing - with basic cover flap -



Dimension	D	P	Q	Weight [kg]
DN 600	820	900	420	120
DN 700	920	1000	500	150
DN 800	1020	1100	550	190
DN 900	1120	1200	600	210
DN 1000	1250	1300	650	260
DN 1200	1470	1500	750	330

All dimensions in mm

Design: TESACO, acc. to DIN 19569-4

Material: Frame and flap (Cover) fabricated from DIN EN 1561 EN-GJL-250 (GG-25)
 Frame sealing as exchangeable block seal made from corrosion resistant bronze
 Flap sealing made from waste water resistant neoprene
 Bearing pin made from S.S. 316
 Bearing bushing made from corrosion resistant bronze
 Wall sealing made from rubber neoprene
 Fastening elements made from S.S.316

Corrosion protection: Shot blasting acc. DIN ISO 55928, SA 2 1/2
 with 400 µm Polyurethane or Epoxy coating