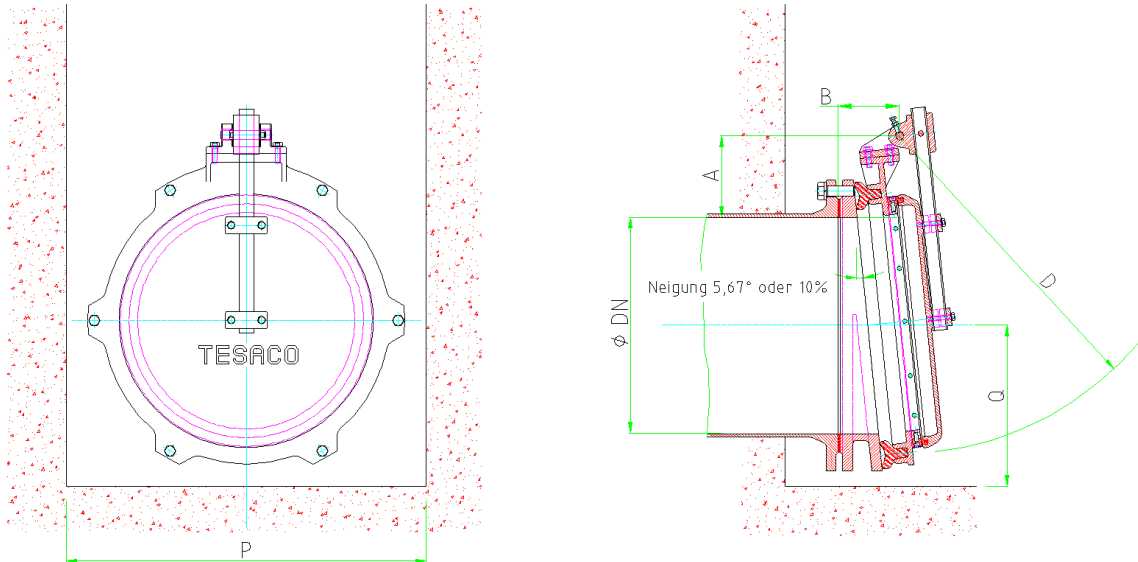


Dimension DN 200 to DN 500 - Pipe flange fixing - with basic cover flap -



Dimension	D	P	Q	A	B	Weight [kg]
DN 200	700	430	200	125	110	22
DN 250	800	480	245	125	110	25
DN 300	900	520	270	125	110	28
DN 350	1000	580	295	125	115	35
DN 400	1180	630	320	155	120	40
DN 450	1350	780	345	185	135	45
DN 500	1450	830	370	185	140	55

All dimensions in mm

- Design: TESACO, acc. to DIN 19569-4
- Material: Frame and flap (Cover) fabricated from DIN EN 1561 EN-GJL-250 (GG-25)
 Connection flange fabricated from DIN EN 1561 EN-GJL-250 (GG-25)
 Frame sealing as exchangeable block seal made from corrosion resistant bronze
 Flap sealing made from waste water resistant neoprene
 Bearing pin made from S.S. 316
 Bearing bushing made from corrosion resistant bronze
 Fastening elements made from S.S.316
- Corrosion protection: Shot blasting acc. DIN ISO 55928, SA 2 1/2
 with 400 µm Polyurethane or Epoxy coating