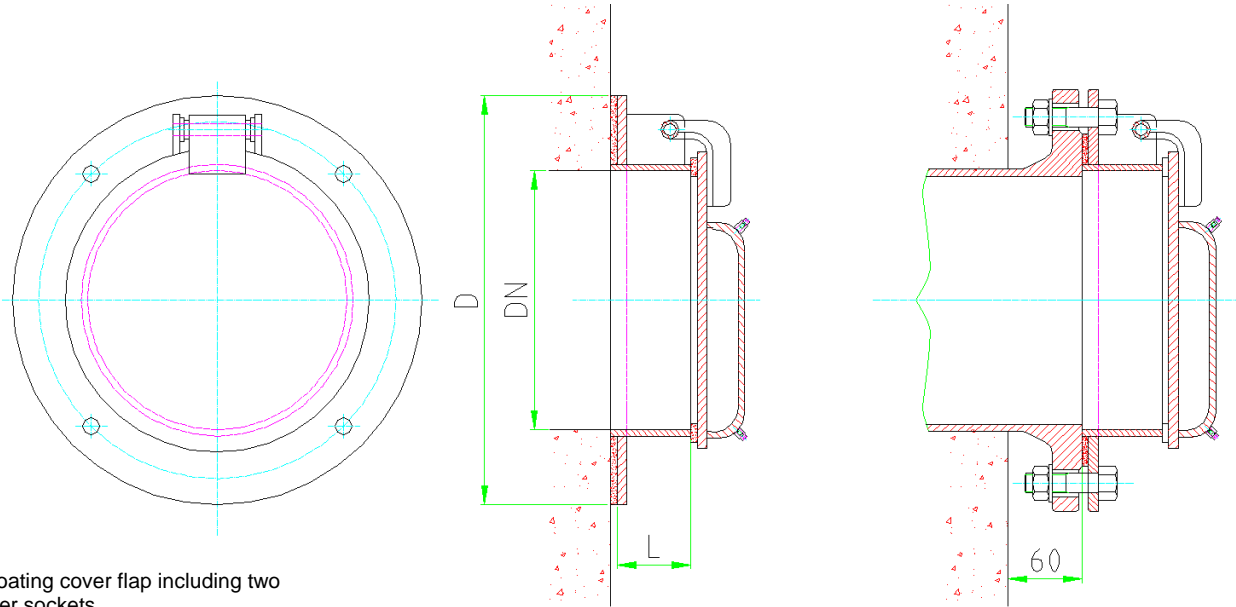


Dimension DN 1400 to DN 2400 - with floating cover flap -



Floating cover flap including two filler sockets

Wall fixing

Pipe flange fixing
with reduced blade thickness,
suitable for local flange acc.
DIN 2501 PN 10

Dimension	D	L	Weight [kg]
DN 1400	1675	200	240
DN 1500	1800	200	310
DN 1600	1915	200	400
DN 1800	2115	200	510
DN 2000	2325	200	720
DN 2200	2550	200	880
DN 2400	2760	200	1040

All dimensions in mm

Design: TESACO, acc. to DIN 19569-4

Material: The following standard material combinations are available:

Type: A4 - Frame and flap (Cover) fabricated from S.S. 316
 Type: A2 - Frame and flap (Cover) fabricated from S.S. 304

Flap sealing (lip type) made from rubber neoprene
 Wall sealing made from rubber neoprene
 Hinge made from S.S. 316
 Fastening elements made from S.S.316

Corrosion protection: Stainless steel pickled and passivated