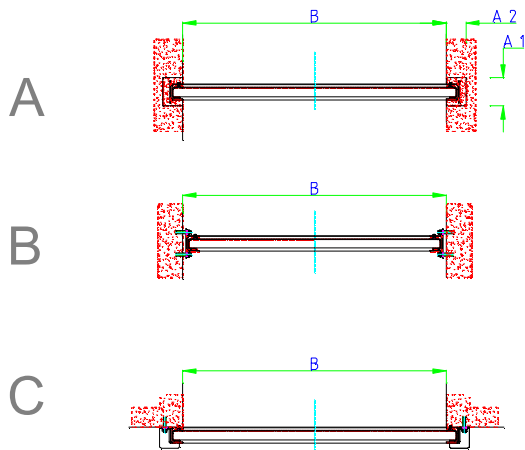
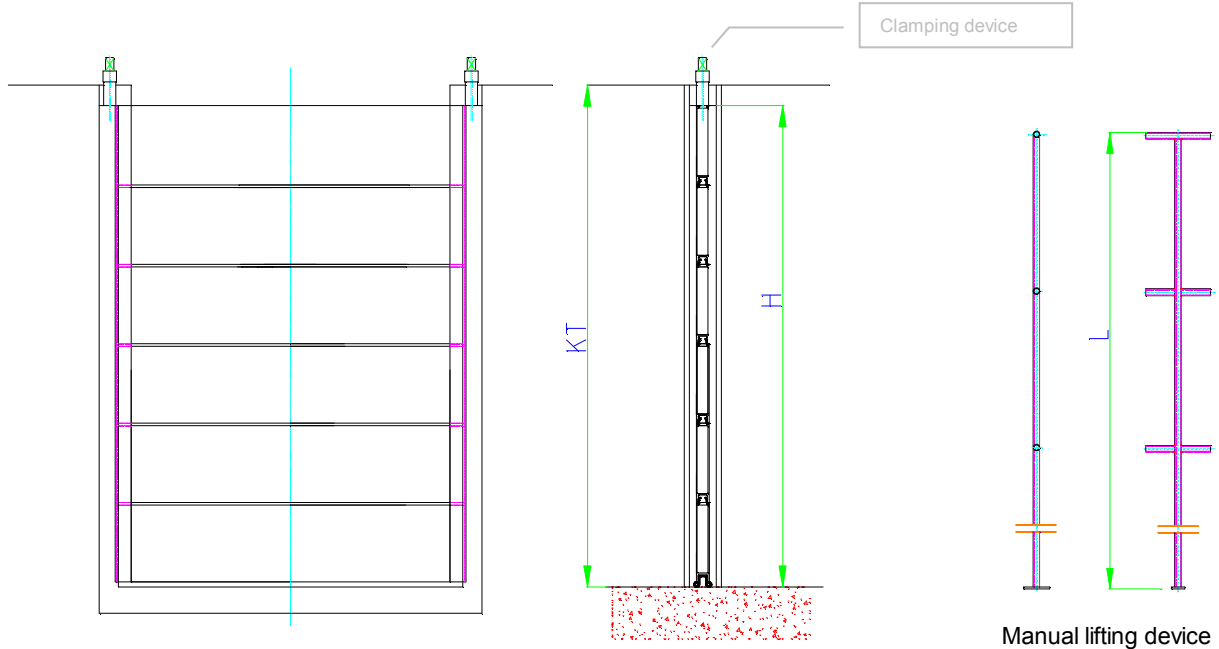


Stop Logs made from Stainless Steel



Fixing types:

- A - Grouted in channel recesses
- B - Wall fixing inside the channel
- C - Wall fixing in front of the channel

In addition all three types could be combined with each other.

Stop Log	A1	A2
Type DB1-S	150	100
Type DB2-S	190	100
Type DB3-S	280	100

All dimensions in mm

- Design: TESACO, acc. to DIN 19569-4, 3-face sealing
- Optional: Clamping device, Manual lifting device
- Material: Stop Logs made from SS 304 or SS 316Ti
 Guides made from SS 304 or SS 316Ti
 Sealing between stop logs made from waste water resistant neoprene
 Sealing on guides made from waste water resistant neoprene
 Fastening elements made from S.S.316
- Corrosion protection: Stainless steel pickled and passivated