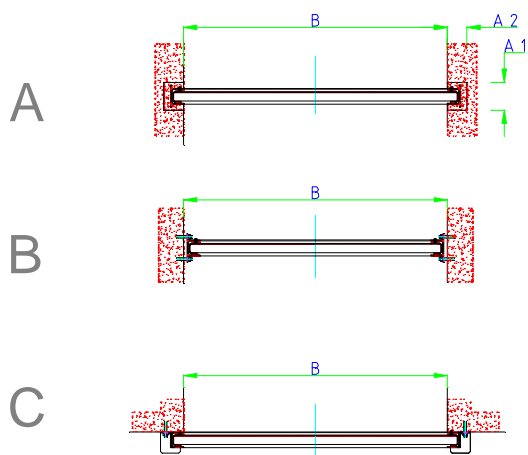
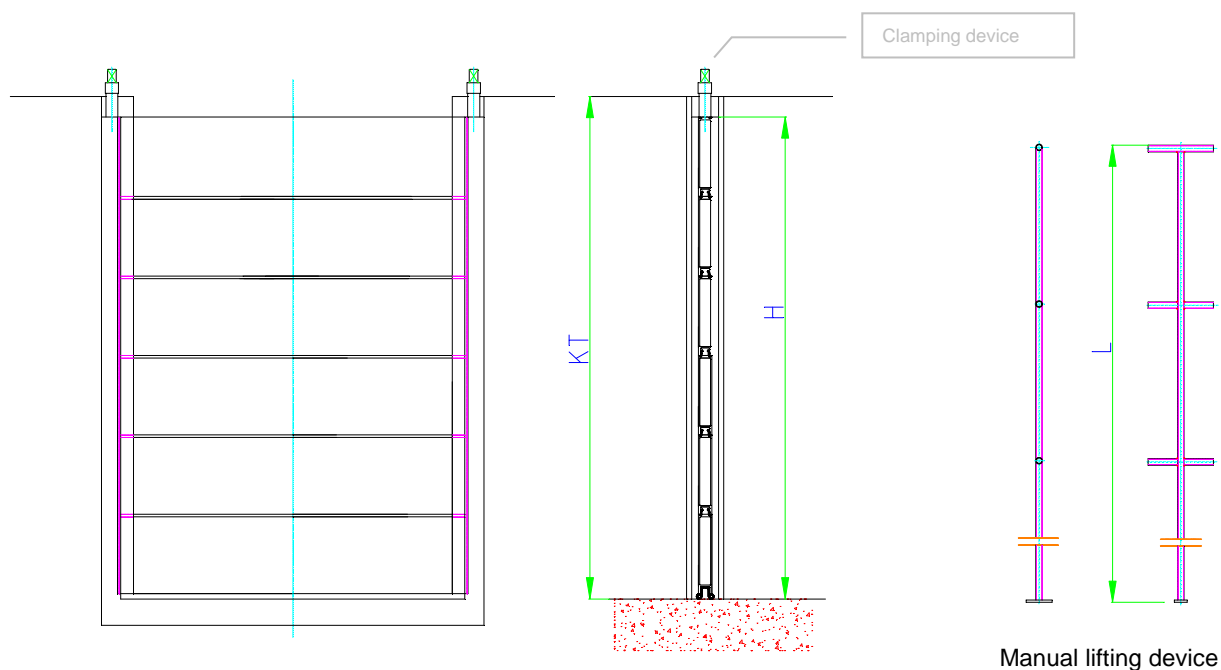


## Stop Logs made from Aluminium



Fixing types:

- A - Grouted in channel recesses
- B - Wall fixing inside the channel
- C - Wall fixing in front of the channel

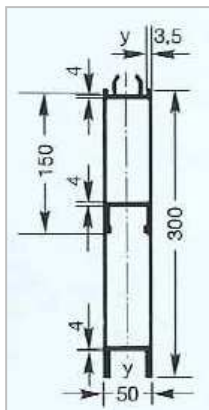
In addition all three types could be combined with each other.

Stop Log	A1	A2
Type DB1	150	100
Type DB2	190	100
Type DB3	280	100

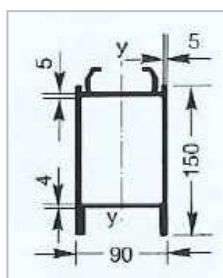
All dimensions in mm

- Design: TESACO, acc. to DIN 19569-4, 3-face sealing
- Optional: Clamping device, Manual lifting device
- Material: Stop Logs made from aluminium  
 Guides made from SS 304 or SS 316Ti  
 Sealing between stop logs made from EPDM  
 Sealing on guides made from waste water resistant neoprene  
 Fastening elements made from S.S.316
- Corrosion protection: Stainless steel pickled and passivated

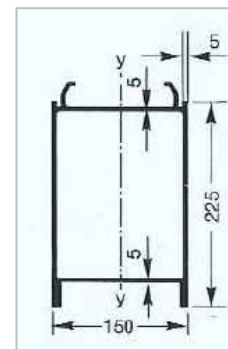
Depending from the existing water head and channel width are three different types of stop logs available:



**Type DB1**  
 Weight per m: 8,51 kg/m  
 Weight per m<sup>2</sup>: 28,35 kg/ m<sup>2</sup>

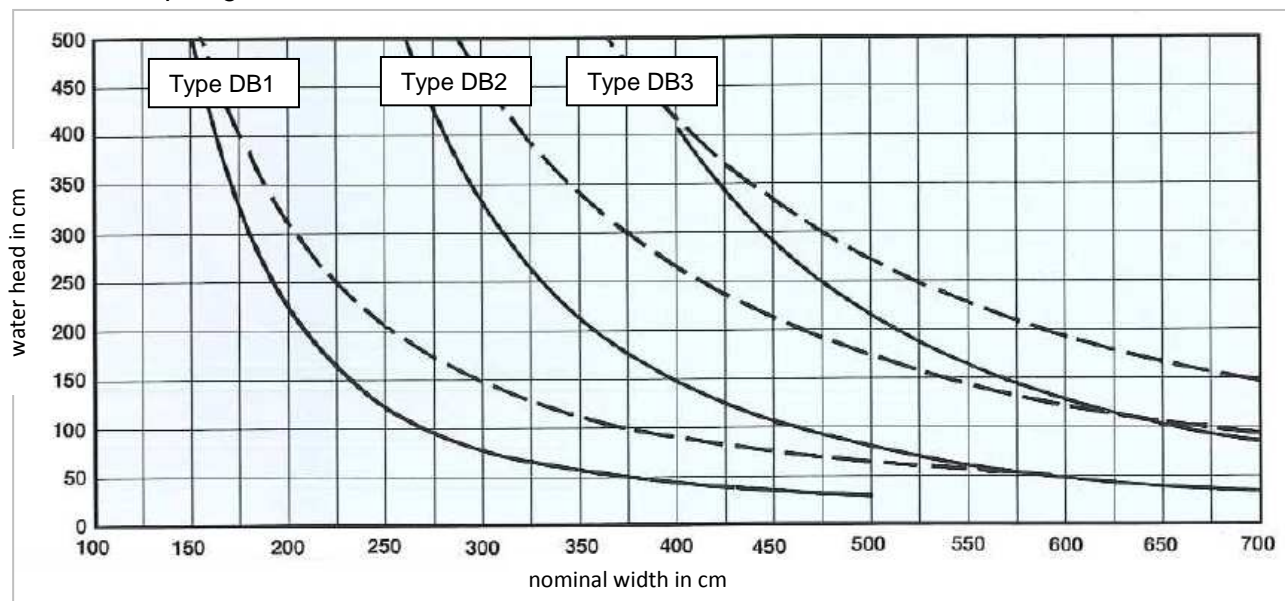


**Type DB2**  
 Weight per m: 7,26 kg/m  
 Weight per m<sup>2</sup>: 48,42 kg/ m<sup>2</sup>



**Type DB3**  
 Weight per m: 11,17 kg/m  
 Weight per m<sup>2</sup>: 49,66 kg/ m<sup>2</sup>

### Chart for Stop Log selection



— max. acc. tension  
 95 N/mm<sup>2</sup>  
 - - - max. deflection  
 1/150 nominal width