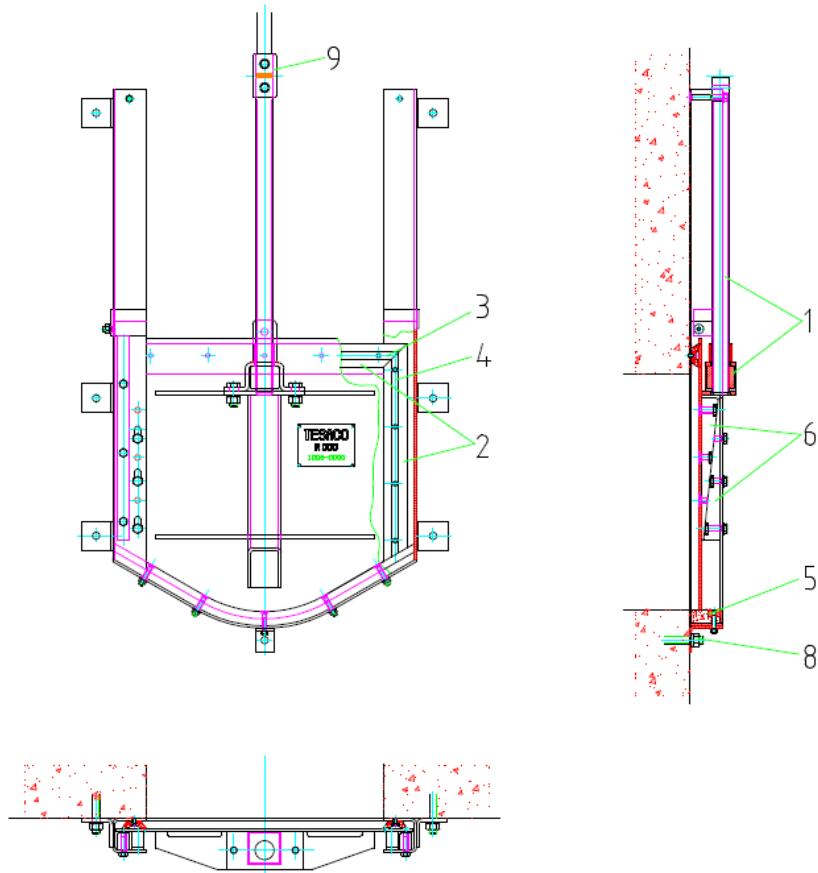


for penstocks C20-series



KEY

- 1 Spindle / spindle nut (need to be replaced as a set)
- 2 Sealing (refer also to our page no. TT-TMB-0015)
- 3 Fixing strip top seal
- 4 Fixing strip lateral seals left / right
- 5 Fixing strip bottom seal
- 6 Wedges (need to be replaced as a set)
- 7 Slide bar (only for control penstocks)
- 8 Anchor bolts
- 9 Coupling



The TESACO products are designed for long lifetime with high reliability, on the condition of a regular operation and maintenance acc. to the TESACO's instructions.

That's why it is not necessary to keep spares available at site. Should the replacement of a part become necessary, please state the TESACO project number and/or drawing number with your enquiry.